

LED^{G1}

CONSTRUCTION MANUAL



Time to build 5 min

SAFETY SECTION



WARNING!

Not suitable for children under 36 months. Choking hazard.



WARNING!

Not suitable for children under 36 months. Long cable. Strangulation hazard.

WARNING!

The remote control contains a Button or Coin Cell Battery. A swallowed Button or Coin Cell battery can cause internal chemical burns leading to death in as little as two hours. Dispose of used batteries immediately. Keep new and used batteries away from children. If you think batteries might have been swallowed or placed inside any part of the body, seek immediate medical attention.

WARNING!

To be used under the direct supervision of an adult.

WARNING!

TO AVOID SERIOUS INJURY:

1. Do not use LED remote while riding.
2. Not to be used in traffic.
3. Always check and obey any local laws or regulations which may affect the locations where the LED system may be used.
4. Do not disassemble or modify the LED system. The lithium battery inside contains safety and protection devices, which, if damaged, may cause the battery to generate heat, explode or ignite.
5. Immediately discontinue use of the LED system (battery inside) if, while using, charging or storing it, the LED system (battery inside) emits an unusual smell, feels hot, changes color or shape, or appears abnormal in any other way. Contact our support if this occurs.
6. Do not place the LED system (battery inside) in or near fire, on stoves or other high temperature locations. Do not place the LED system (battery inside) in direct sunlight, or use or store the LED system (battery inside) inside cars in hot weather. Doing so may cause the battery to generate heat, explode

or ignite. Using the battery in this manner may also result in a loss of performance and a shortened life expectancy.

7. Do not use the LED system in wet or icy weather and never immerse this electric product in water, as the electrical components and battery could get damaged by water or possibly create other unsafe conditions.
8. Never use near swimming pools.
9. Use in snow at own responsibility.
10. Do not place the LED system in microwave ovens, high-pressure containers or on induction cookware.
11. In the event the battery leaks and the fluid gets into one's eye, do not rub the eye. Rinse well with water and immediately seek medical care. If left untreated, the battery fluid could cause damage to the eye.
12. Infento will not be responsible or liable, directly or indirectly, in any way for any loss or damage of any kind incurred as a result of your decision to use the LED system in a different way than we describe in our instructions and manuals.

INSTRUCTIONS



1. The LED system has to be assembled by an adult. (See page 4 and 5)
2. Packaging must be retained since it contains important information.
3. Only use battery(ies) supplied by Infento and intended for the Infento LED system.
4. The LED system is not to be connected to more than 1 power supply.
5. Only use charging cable(s) supplied by Infento and intended for the Infento LED system.

6. USING THE CHARGING CABLE

Charging cable(s) intended for Infento LED system are to be regularly examined for damage to the cord, plug, enclosure and other parts, and in the event of such damage, they must not be used until the damage has been repaired.

- Use caution when charging. Do not charge unattended.
- The charging cable is not a toy - the rechargeable battery in the LED system is only to be charged under adult supervision.

- Do not operate the charging cable near flammable materials.
 - Unplug the charging cable from the power source and disconnect the cable from the LED system when not in use.
- ## **7. CHARGING THE BATTERY** (See page 3)
- Charging time may vary. Empty battery will charge in about 2.5 hours.
 - Failure to recharge battery periodically may result in a battery that will not accept a charge.

8. Make sure the LED system's power switch is turned OFF when it is not in use. If the power switch is left on for an extended period of time, the battery may reach a stage at which it will no longer hold a charge. (See page 6)

9. To ensure long battery life, never store the product in freezing or below freezing temperatures. Freezing will permanently damage the battery.

10. Contains Li-ion battery. Battery must be recycled.



HOW TO ASSEMBLE

For the Instruction manual please visit our website:
www.infentorides.com/support

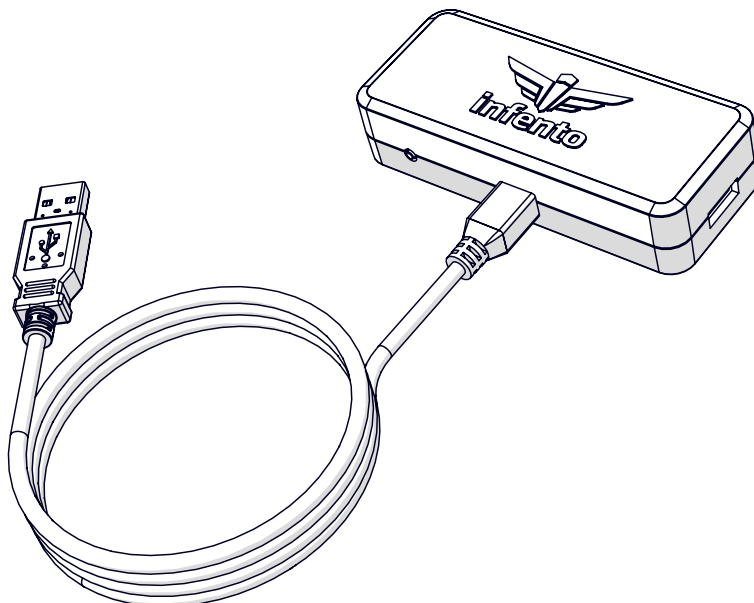
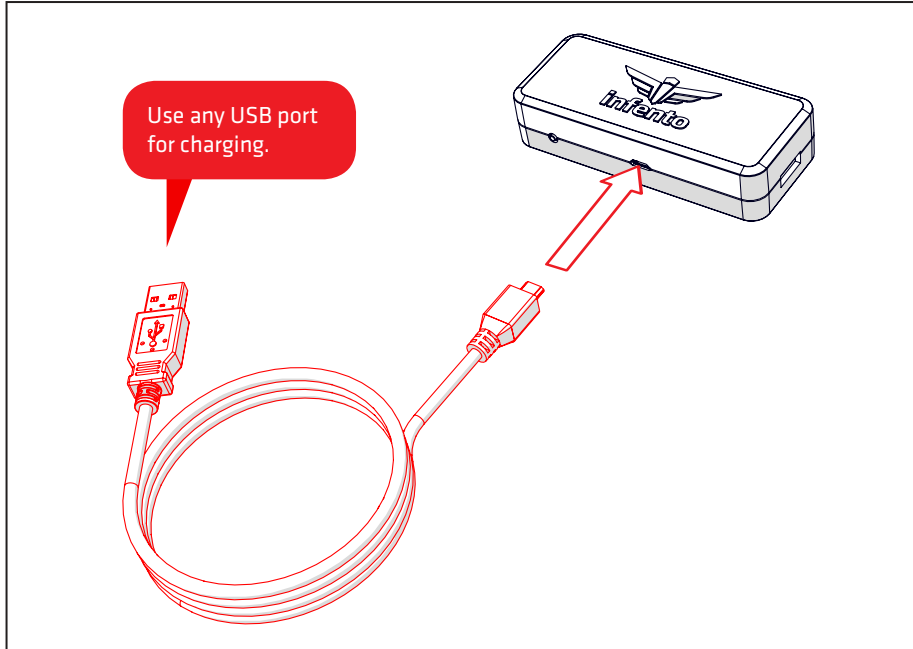
Here you can find the LED manual so you can assemble it and drive your ride like a rockstar!





1

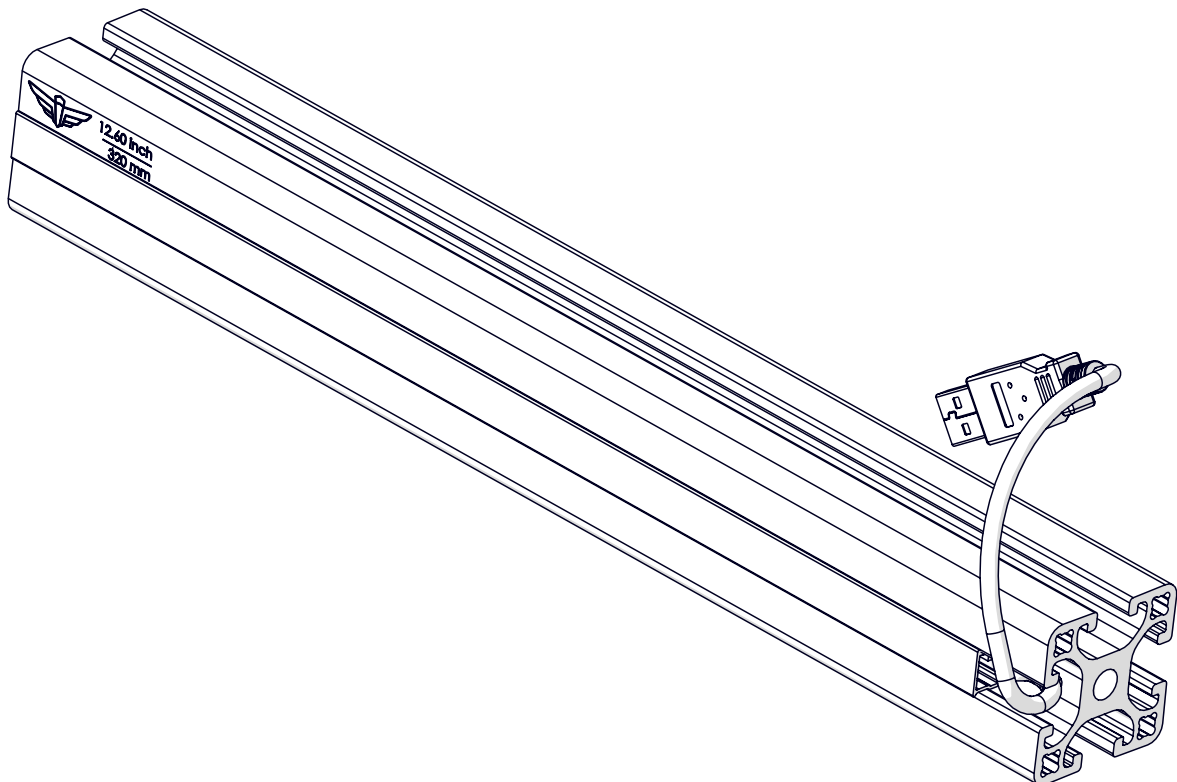
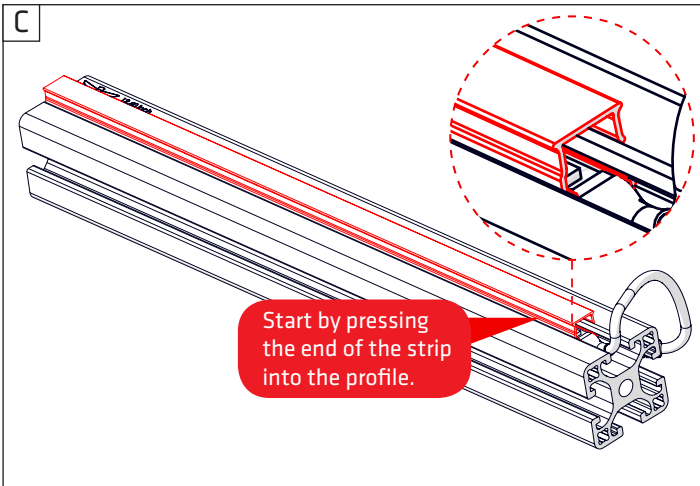
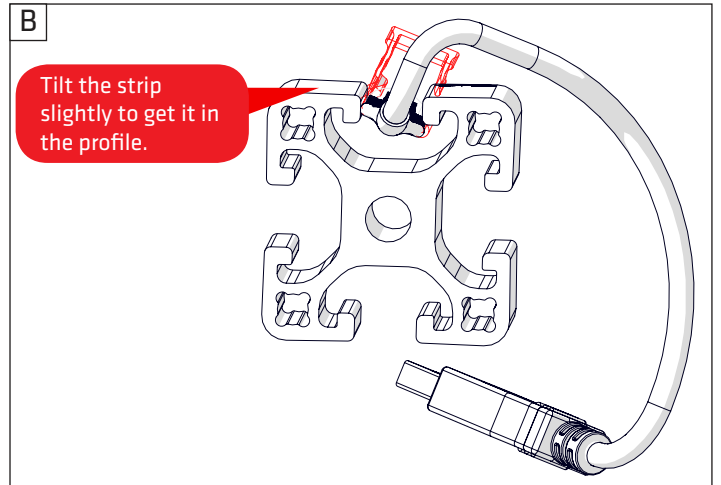
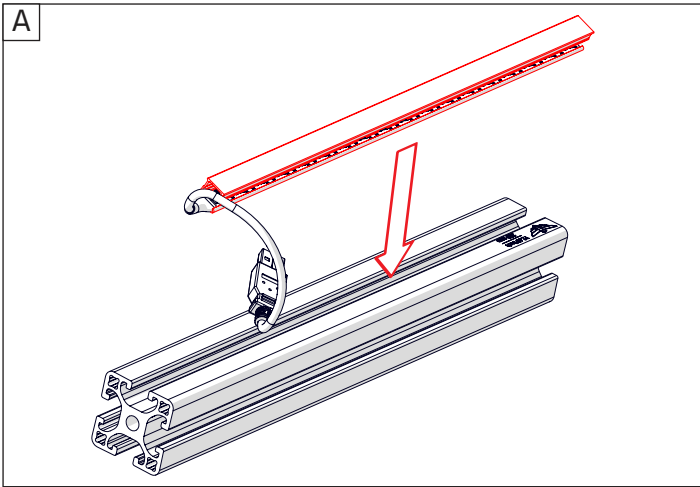
infentoLED G1





2

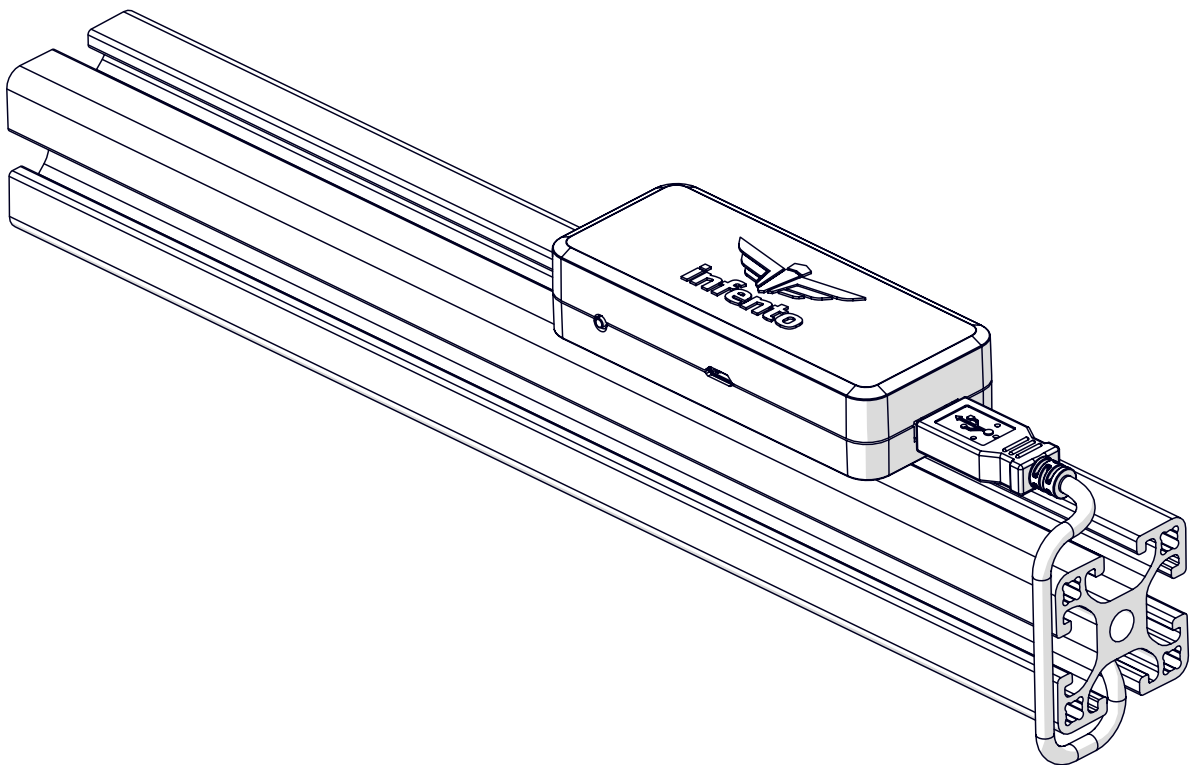
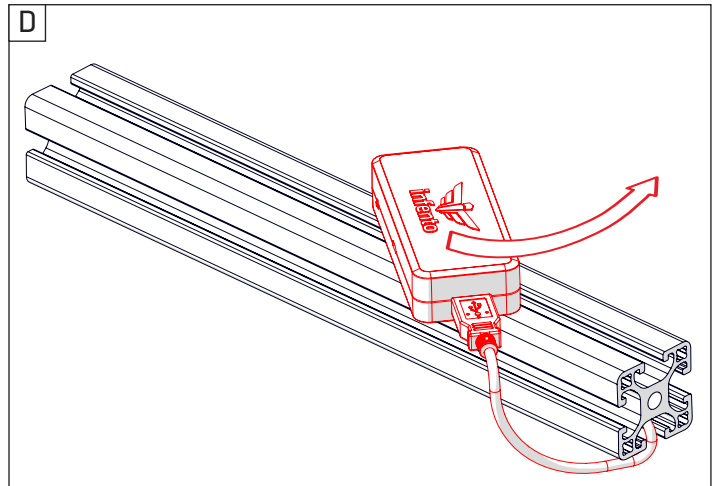
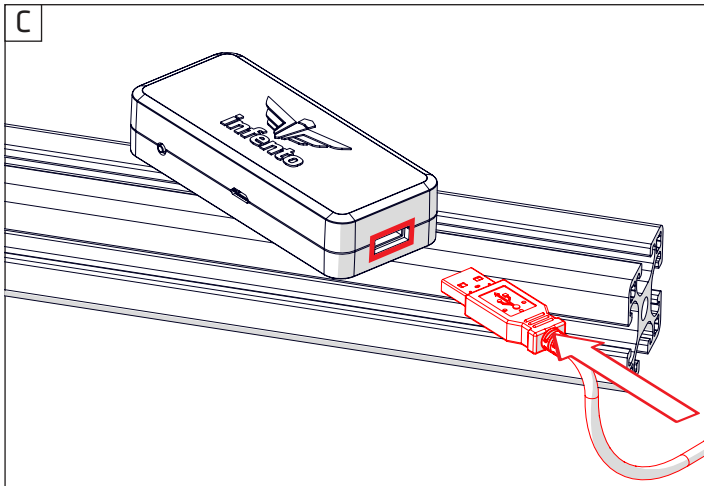
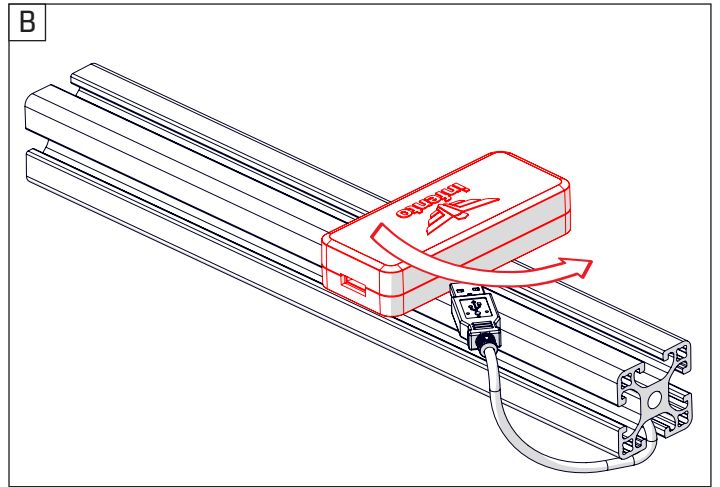
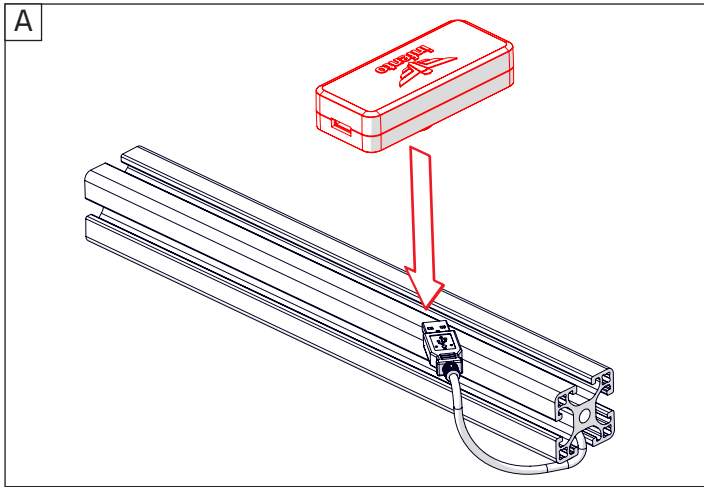
infentoLED G1





3

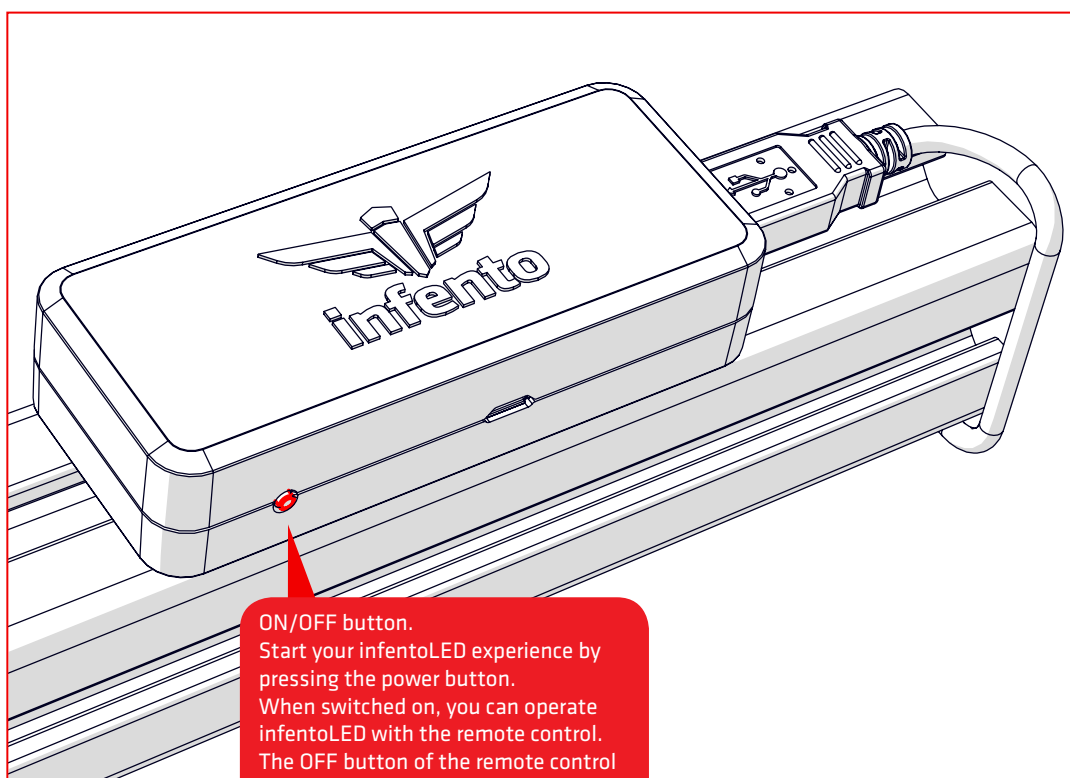
infentoLED G1





4

infentoLED G1



ON/OFF button.
Start your infentoLED experience by pressing the power button. When switched on, you can operate infentoLED with the remote control. The OFF button of the remote control will put infentoLED in standby mode for 100 minutes. After 100 minutes use the power button to switch infentoLED back on. Switch infentoLED off when not in use to save battery life.

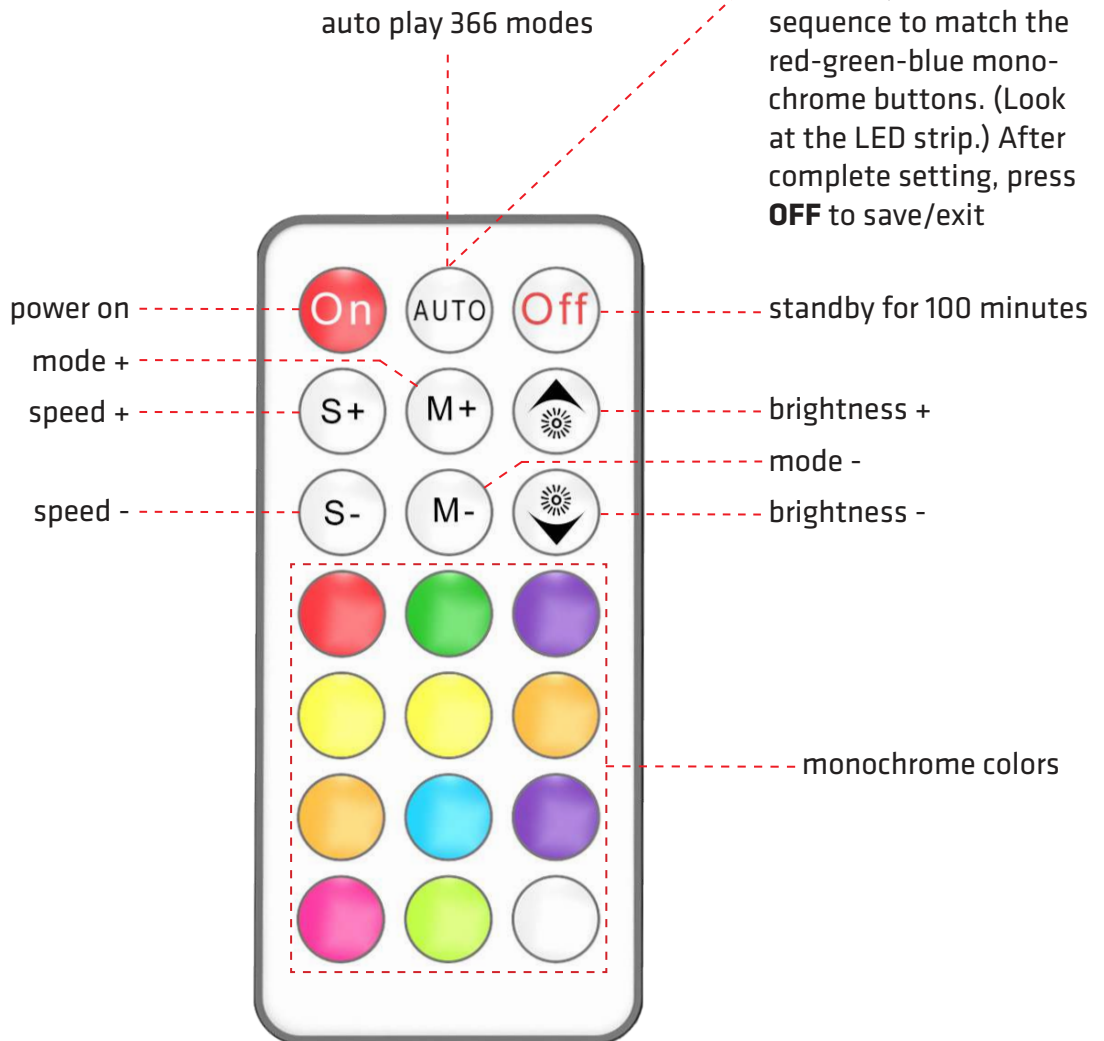


5

infentoLED G1

Synchronise the remote control with the LED strip:

In the off state, press this button to enter the setup menu. Press the **blue** monochrome button to adjust the RGB sequence to match the red-green-blue monochrome buttons. (Look at the LED strip.) After complete setting, press **OFF** to save/exit



LED G1



THANK YOU FOR READING ME!