

E-PULSE^{G1}

CONSTRUCTION MANUAL



Length	N/A
Max weight	N/A
Time to build	30 minutes



World's first real constructible rides



WARNING - IMPORTANT NOTICE TO PARENTS

Before you start constructing and use our product, please carefully read the following safety warning and download our manual from our website. This safety warning and manual contains important information relating to your child's safety. It is your responsibility to review this information with your child and make sure they are fully aware of all the warnings before they start riding. Failure to follow instructions and safety precautions can result in serious injury or death.

You can find a digital copy of the manual at the following web address:

www.infento.com

PLEASE PRINT OUT THE MANUAL AND KEEP THE MANUAL AND THIS **SAFETY WARNING** IN A SAFE LOCATION FOR FUTURE REFERENCE.

SAFETY SECTION



WARNING! PARENTAL SUPERVISION AND APPROPRIATE USE

Like any moving product, rides made from Infento parts can be dangerous if due care and attention is not paid. To reduce the risk of serious injury: use only under close adult supervision. Parents must review the following warnings and instructions with each Infento ride that is being built. It is your responsibility to review this information and make sure that all riders understand all warnings, cautions, instructions and safety topics, and assure that young riders are able to safely and responsibly use this product. Infento recommends that you periodically review and reinforce the information in this manual with younger riders, and that you inspect and maintain your child's Infento rides to insure their safety.

WARNING! RIDING ON INFENTO RIDES CAN BE A DANGEROUS ACTIVITY

Riding on Infento rides can be a dangerous activity. Certain conditions may cause the equipment to fail without fault of the manufacturer. Rides made from Infento parts can and are intended to move, and it is therefore possible to lose control, fall off and/or get into dangerous situations that no amount of care, instruction or expertise can eliminate. If such things occur you can be seriously injured or die, even when using safety equipment and other precautions. Ride at your own risk and use common sense.

WARNING! NO LIABILITY FOR CONSTRUCTED RIDES THAT DIFFER FROM OUR MANUALS

The rides that you can find in our manuals have been tested by official independent testing agencies. We will not be responsible or liable, directly or indirectly, in any way for any loss or damage of any kind incurred as a result of your decision to build constructions or rides that differ from the official rides that we show in our manuals.

ASSEMBLY – SUBSECTION

WARNING! OUR KITS CONTAIN SMALL PARTS

This package contains small parts which, before assembly, present a choking hazard to children under the age of three. Care should be taken

during unpacking and assembly to insure that all small parts and plastic bags are accounted for and kept out of the reach of children.

WARNING! TO AVOID SERIOUS INJURY:

1. Toys are to be assembled by an adult using Infento manuals.
2. All fasteners (bolts and nuts) should be fully tightened.
3. It is the responsibility of the adult who assembles this bicycle to properly install all parts included in the factory sealed shipping carton and to make the adjustments to the functional parts such as handle bar and seat and chain when necessary.

USE – SUBSECTION

WARNING! TO AVOID SERIOUS INJURY:

1. Continuous adult supervision is required.
2. Only ride constructed rides that have been built according to the instructions given in the official Infento manual.
3. Never exceed the maximum weight. You can find the maximum weight for every specific ride in our manual.
4. Always check the manual to see the minimum and maximum age as well as the minimum and maximum length for every specific ride.
5. Always wear safety equipment such as a helmet, knee pads and elbow pads. We recommend riders always wear a properly fitted helmet that complies with local or national guidelines or laws. Keep chinstrap of helmet securely buckled.
6. Always wear closed toed shoes (lace-up shoes with rubber soles), never ride barefooted or in sandals, and keep shoe laces tied and out of the way of the wheels.
7. Avoid streets and surfaces with water, sand, gravel, dirt, leaves, and other debris. Wet weather impairs traction, braking and visibility.
8. Excessive exposure to sunlight, temperatures below 0 degrees Celsius, water, sand, gravel, dirt, leaves, and other debris can damage, shrink, expand or weaken parts. Keep your ride in a dry environment with proper heating.
9. Avoid sharp bumps, drainage grates and sudden surface changes. Your Infento ride may suddenly stop.
10. Ride on smooth, paved surfaces away from motor vehicles. Wet, slick or uneven and rough

surfaces may impair traction and contribute to possible accidents.

11. Never risk damaging surfaces, such as carpet or flooring, by use of an Infento ride indoors.
12. Never use near motor vehicles, streets, roadways, alleys, swimming pool areas, hills, steps, sloped driveways, inclines and public highways.
13. Watch out for pedestrians, skaters, skateboards, scooters, bikes, children or animals who may enter your path, and respect the rights and property of others.
14. Avoid excessive speed associated with downhill rides.
15. Do not use at night or in periods with reduced visibility.
16. Before every use, please make sure that the complete ride and all joints have been assembled tightly, as with use, joints may wear out.
17. Before using your Infento ride, please check that the screws are tightened securely.
18. It's your own responsibility if you modify the product other than manufacturer's instructions.
19. Maintain a hold on the handlebars at all times.
20. Brake will get hot from continuous use. Do not touch after braking.
21. Periodically check hardware and tighten if necessary. Replace worn or broken parts immediately.
22. Skill is required to avoid falls or collision causing injury to the user and third parties.
23. Check operation of breaks every time before bicycle is ridden.
24. Check local laws before you start with riding.
25. Never tow wagons, other vehicles, or children on skates or skateboards.
26. Make certain that anyone who uses an Infento ride has been fully instructed in its operation.
27. Instruct your child on how to use the breaks.
28. Do not perform stunts.
29. Never use headphones or a cell phone when riding.
30. Only one rider at a time on an Infento ride.
31. Do not allow children to stand on the product at any time.

FAILURE TO USE COMMON SENSE AND HEED THE ABOVE WARNINGS INCREASES RISK OF SERIOUS INJURY. USE WITH APPROPRIATE CAUTION AND SERIOUS ATTENTION TO SAFE OPERATION.

SAFETY SECTION



OUR KITS CONTAIN SMALL PARTS

This package contains small parts which, before assembly, present a choking hazard to children under the age of three. Care should be taken during unpacking and assembly to insure that all small parts and plastic bags are accounted for and kept out of the reach of children.

QUESTIONS? HELP NEEDED?

You can email us at:
support@infento.com
and our team will assist you as soon as possible.



MAINTENANCE | INSTRUCTION



Inspect the product frequently. Failure to inspect the product and to make repairs or adjustments, as necessary, can result in injury to the rider or to others.

1. Make sure all parts are correctly assembled and adjusted as written in this manual.
2. Oil or grease moving parts periodically. Every 6 month.
3. Check nuts and bolts often and tighten if necessary. Every time you use your ride.
4. Any parts how are missing, showing evidence or wear should be replaced immediately.
5. Follow closely the assembly instructions pertaining to the proper adjustments of parts
6. Periodically check the brake system for proper function. Every time you use your ride.
7. Periodically check the steering mechanism for proper function. Every time you use your ride.
8. Check the air pressure in the tires to be the amount specified in the manual. Every time you use your ride.
9. Periodically check the bicycle's tooth belt to be sure that it is not too lose which could allow the chain to slip off the sprockets.

RECOMMENDED TOOLS



4 x Allen key
3, 4, 5, 6 mm



1 x Tapeline



1 x T-handle
for Allen key



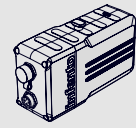
5 x Wrench
10, 13, 14, 15, 19 mm



1

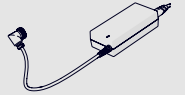
E-PULSE system

First, get all required materials stated here and then follow the instructions.

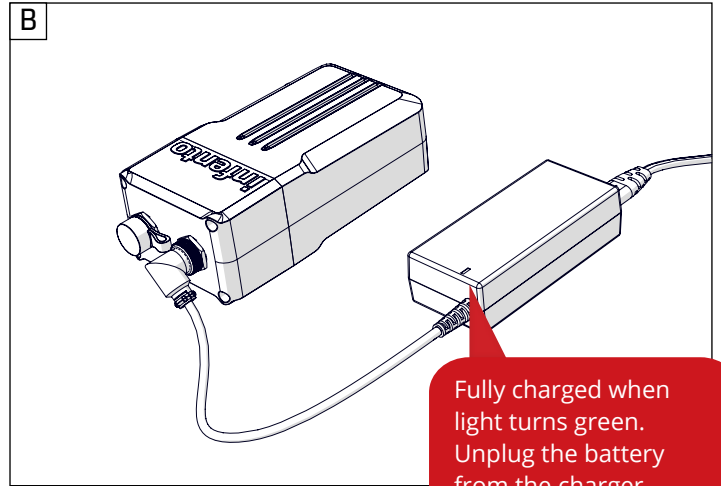
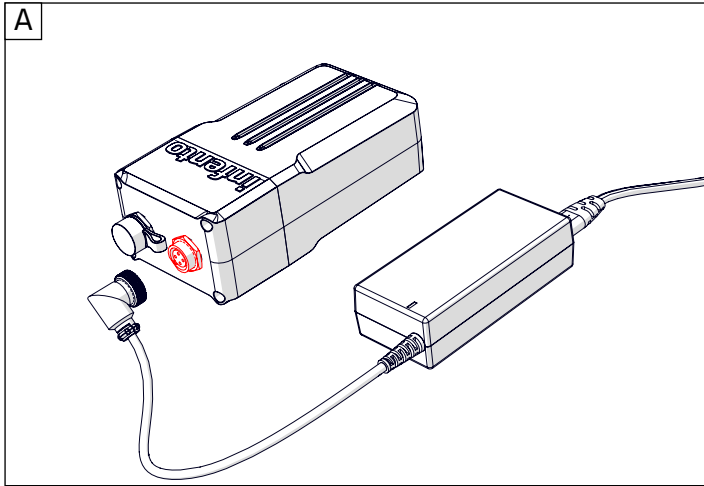


Epulse battery 1x

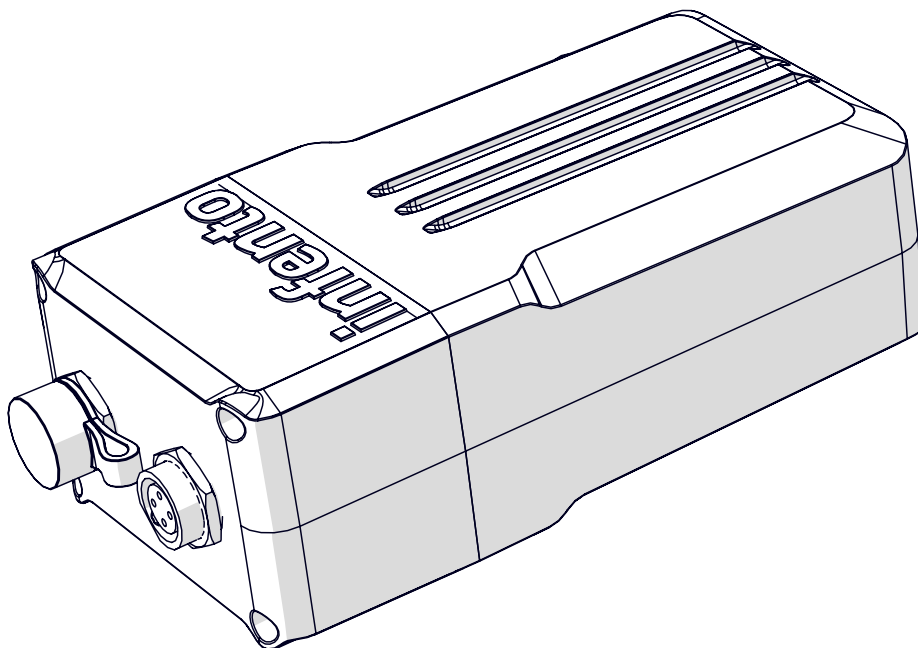
+



Epulse charger 1x



Fully charged when light turns green. Unplug the battery from the charger immediately when fully charged.

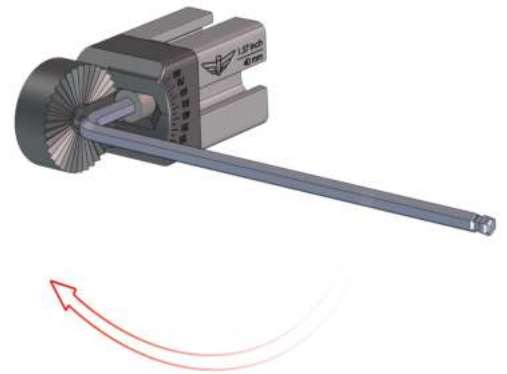


TOP 3 REQUIREMENTS MAKING A GREAT INFENTO EXPERIENCE:



1

Tighten bolts with full force (15Nm) to prevent them from coming loose.



2

Constructing and playing always under supervision of an adult.



3

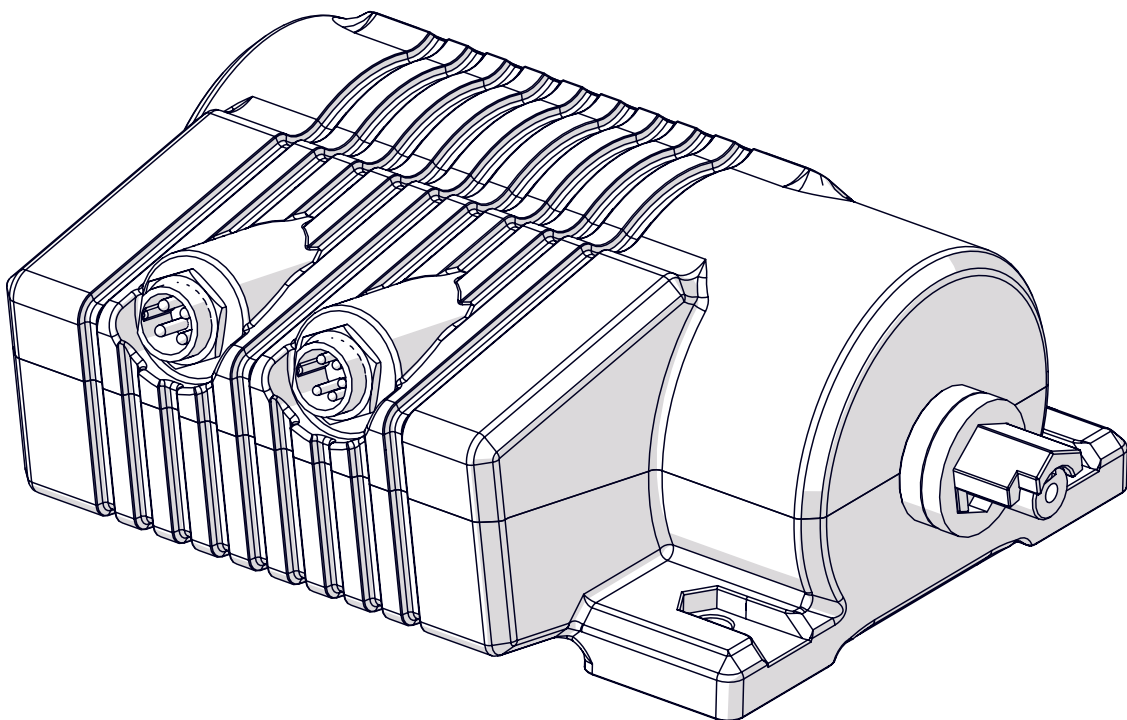
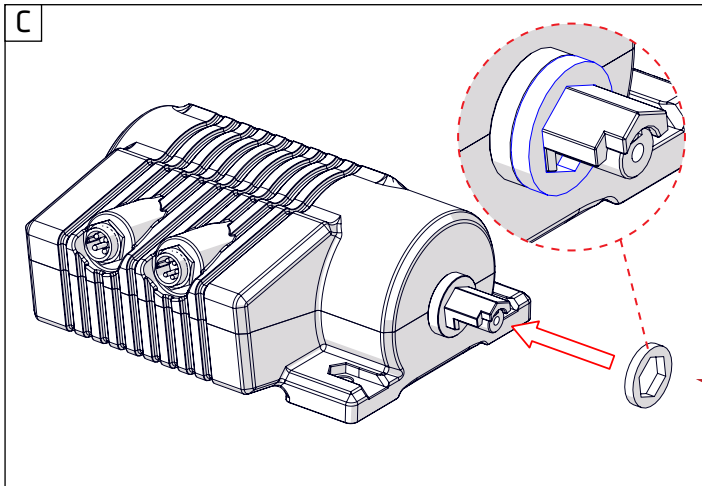
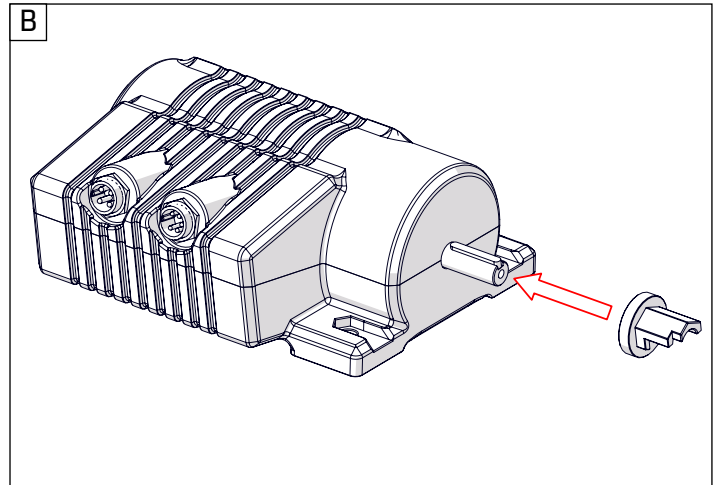
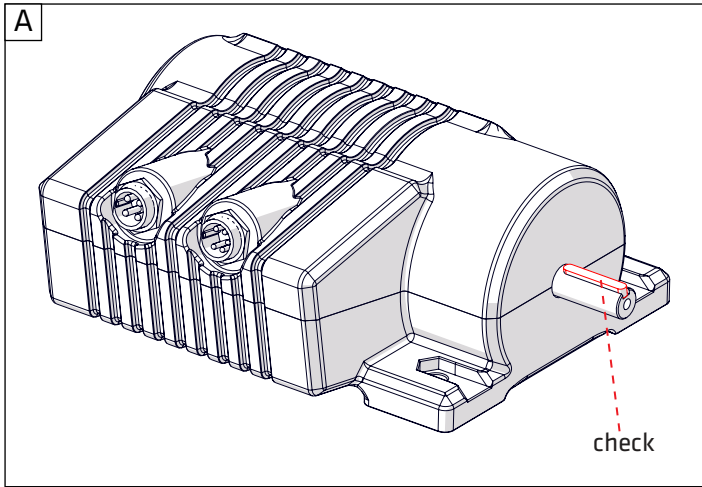
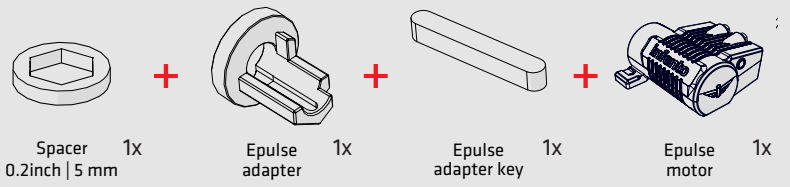
Check frequently if all parts are still firmly tightened and function properly.





3

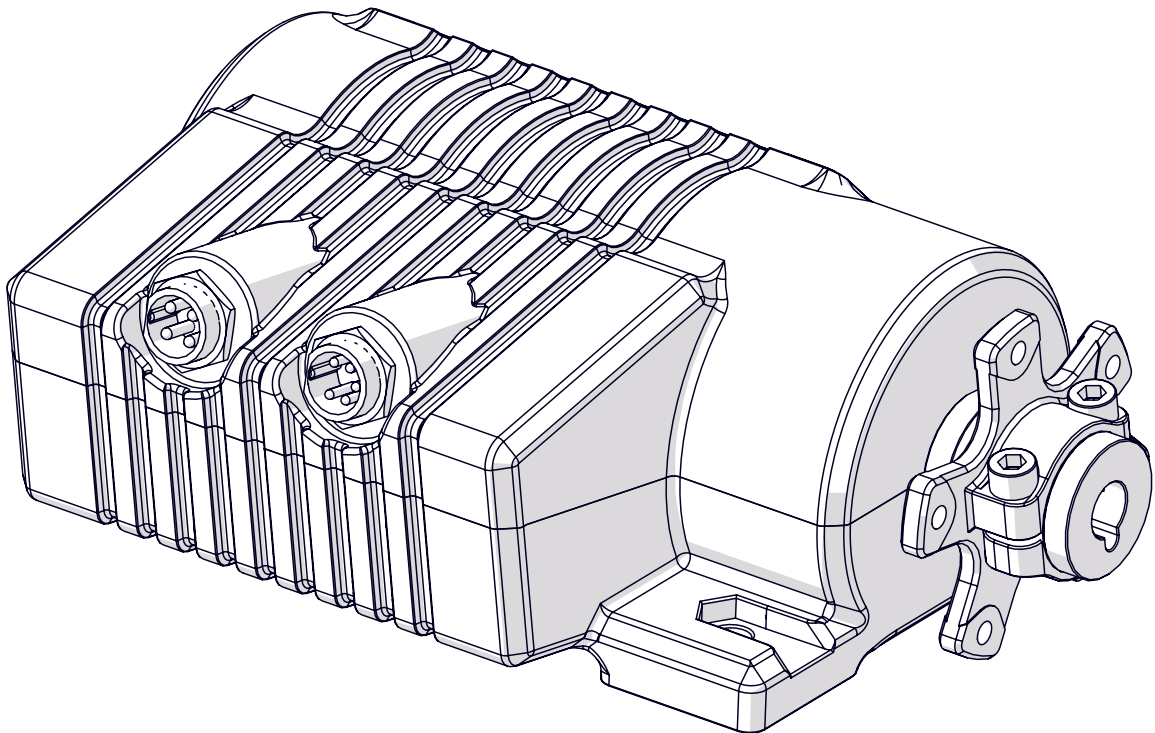
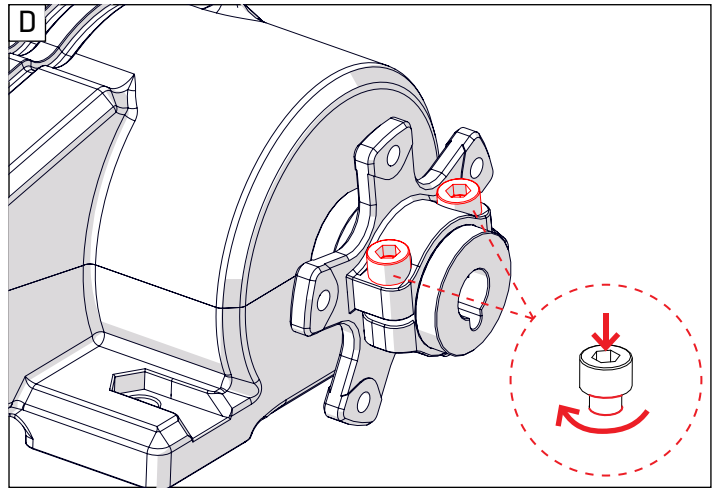
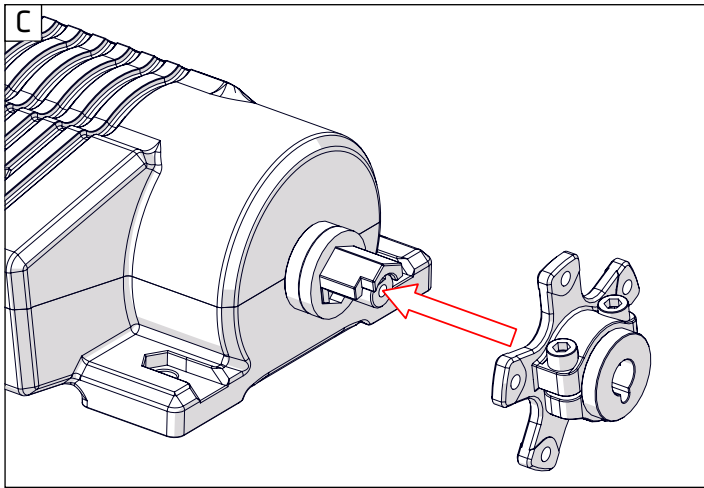
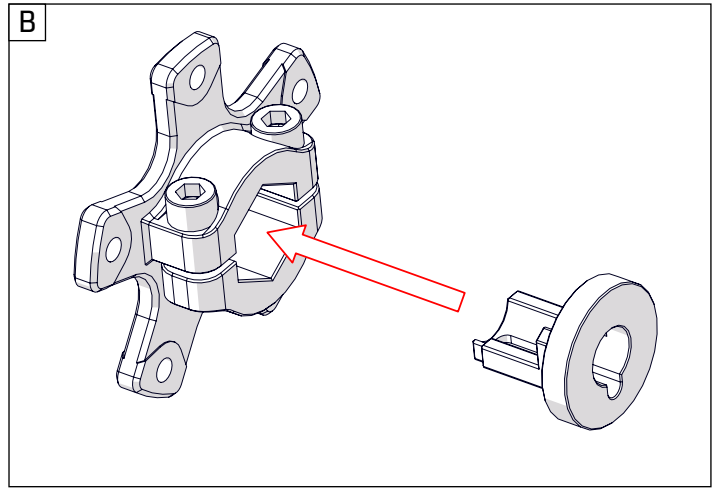
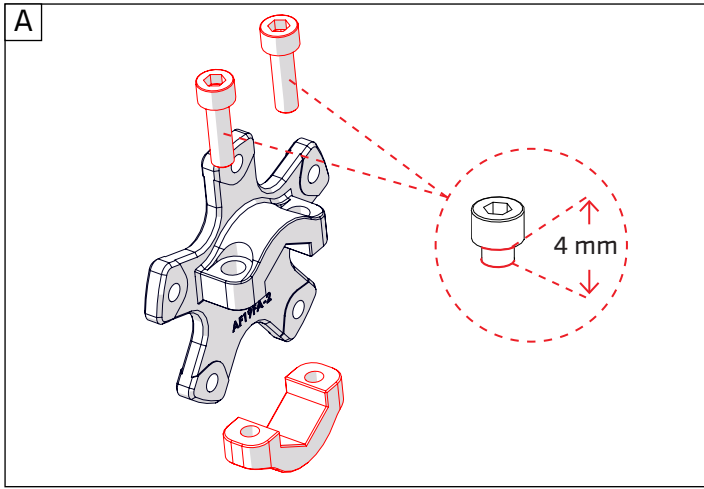
E-PULSE system





4

E-PULSE system



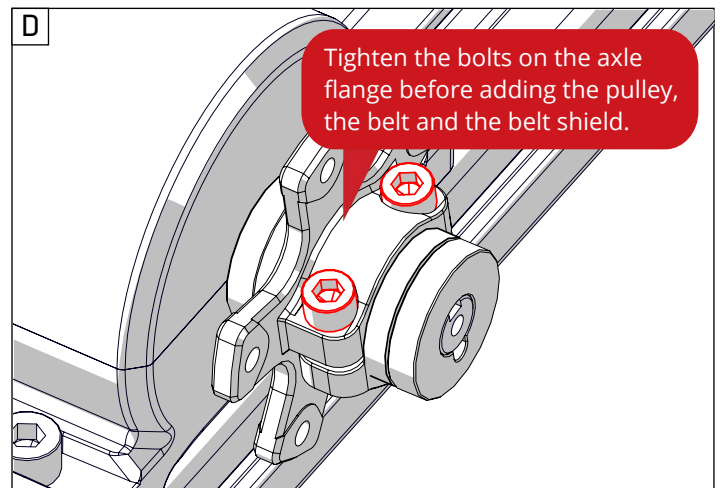
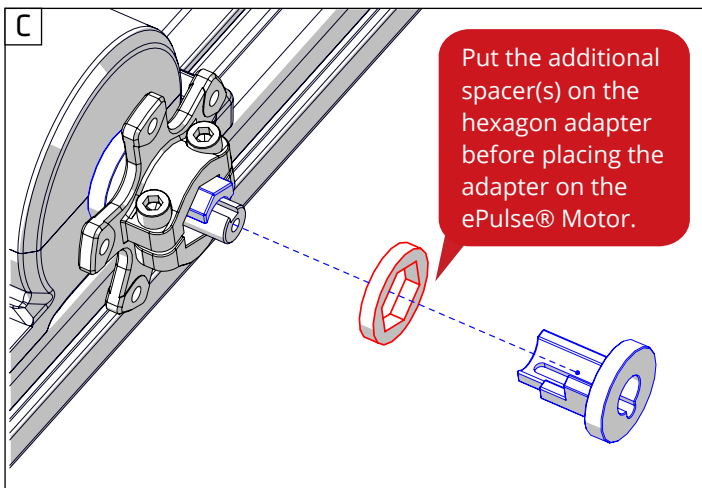
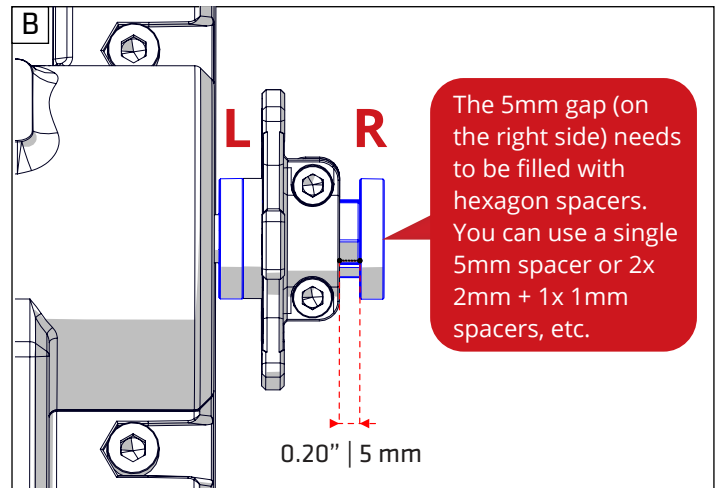
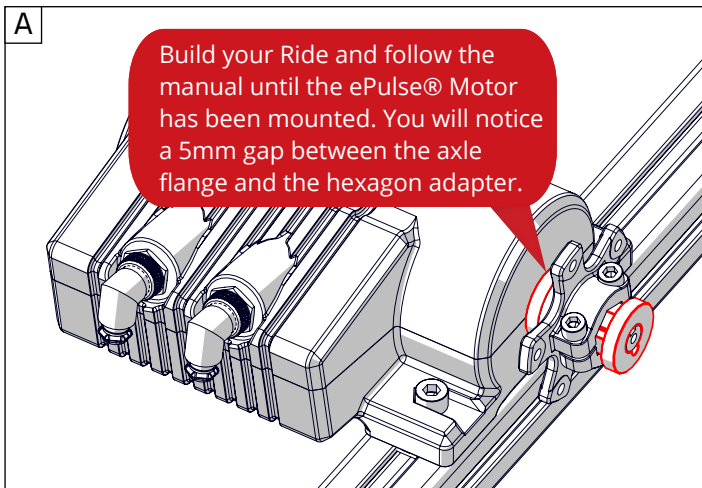


ePulse® System has been updated

NEW HEXAGON ADAPTER

We have improved the ePulse® System. The hexagon adapter (on which a pulley is mounted) has been extended by 5mm compared to the previous version. This allows for even more adjustment options when building your next Ride.

If you follow the manual and don't see extra space, you have the old hexagon adapter. In this case, you can ignore this page and continue the instructions in the manual.



QUESTIONS? HELP NEEDED?

You can email us at:
support@infento.com
and our team will assist you as soon as possible.



6

E-PULSE system



Bolt M6x12

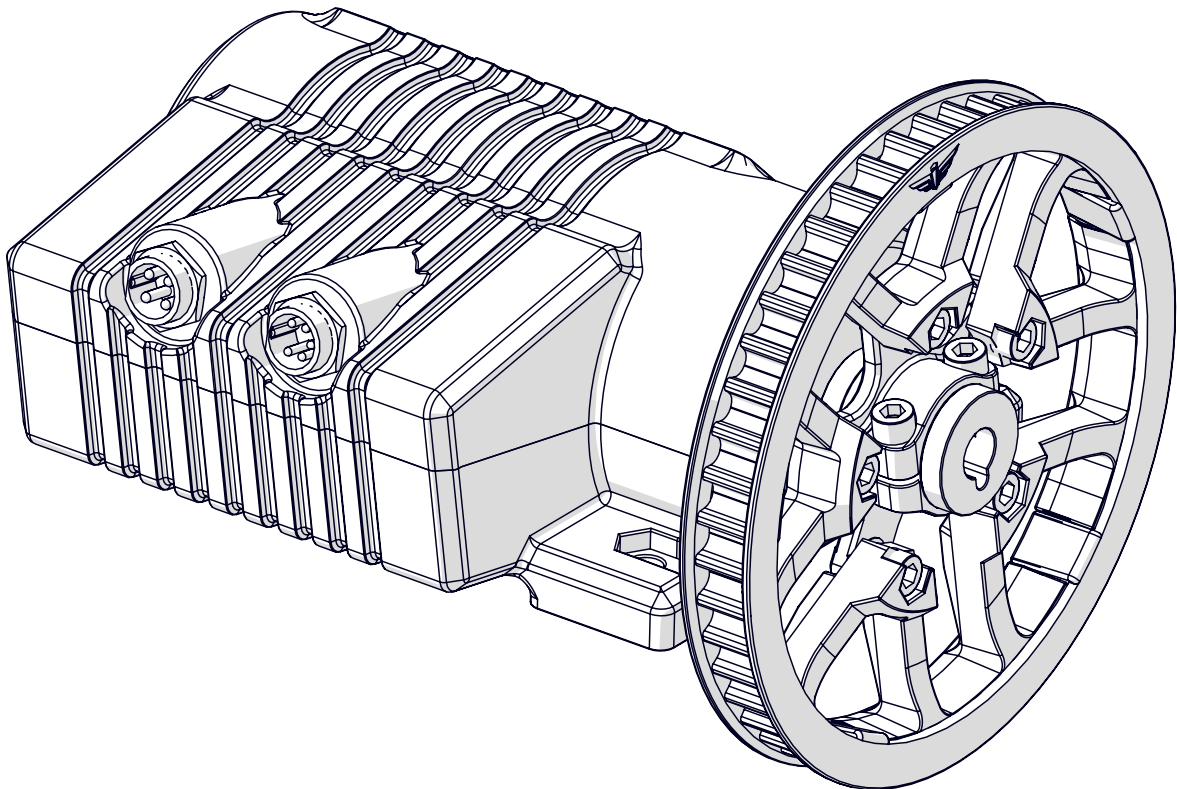
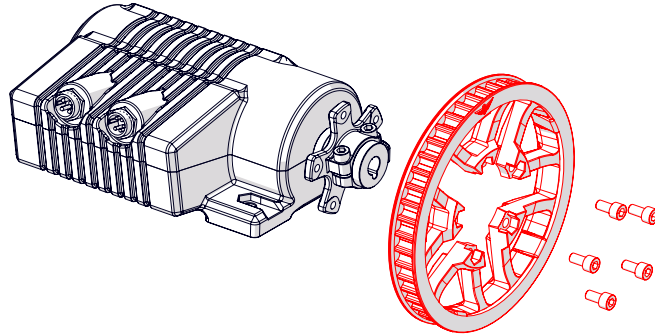


5x



Toothed belt pulley 46T

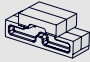


1x

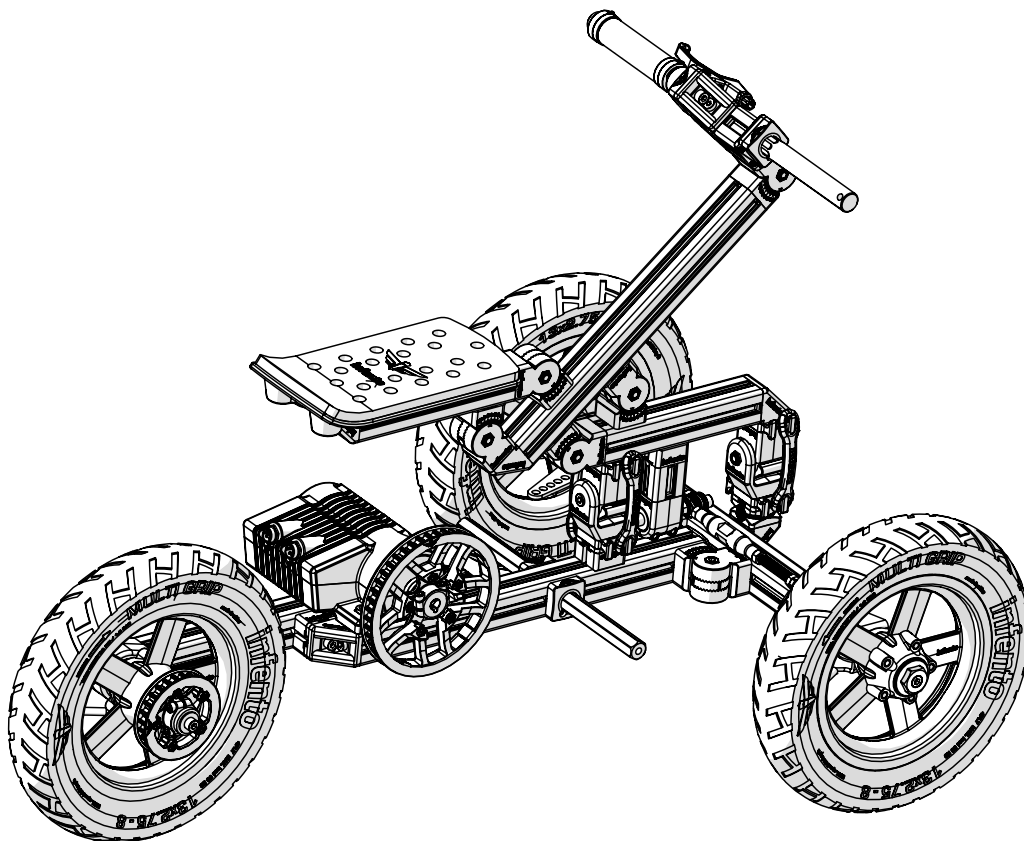
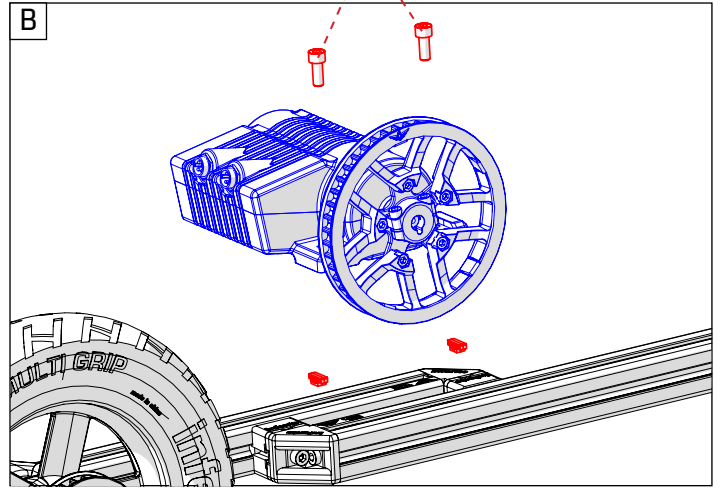
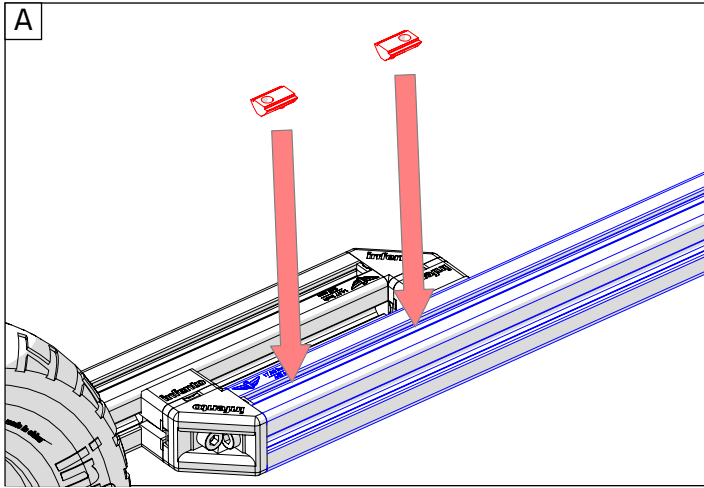




7

E-PULSE system

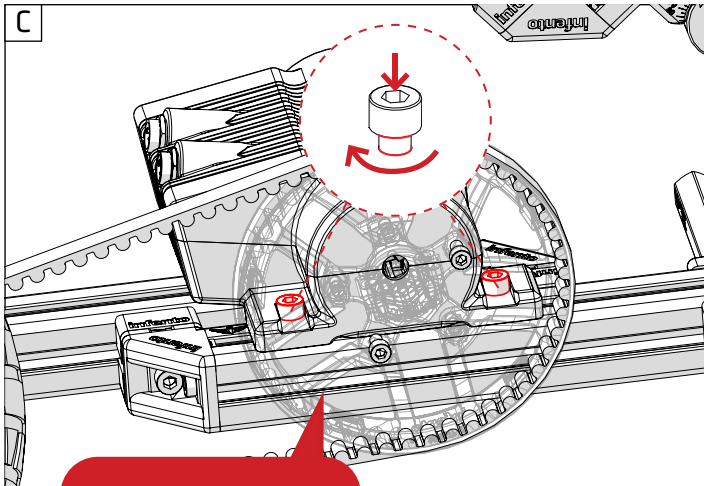
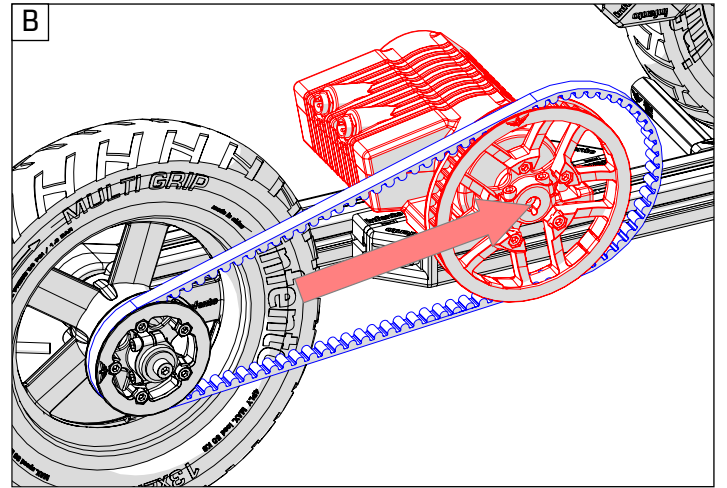
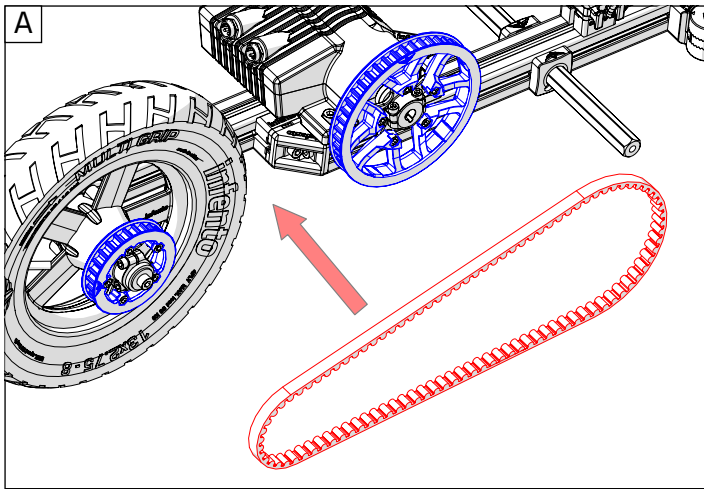
- 
T-Positioning block 2x
- +
- 
Bolt M8x20 2x
- +
- 
Profile nut short 2x



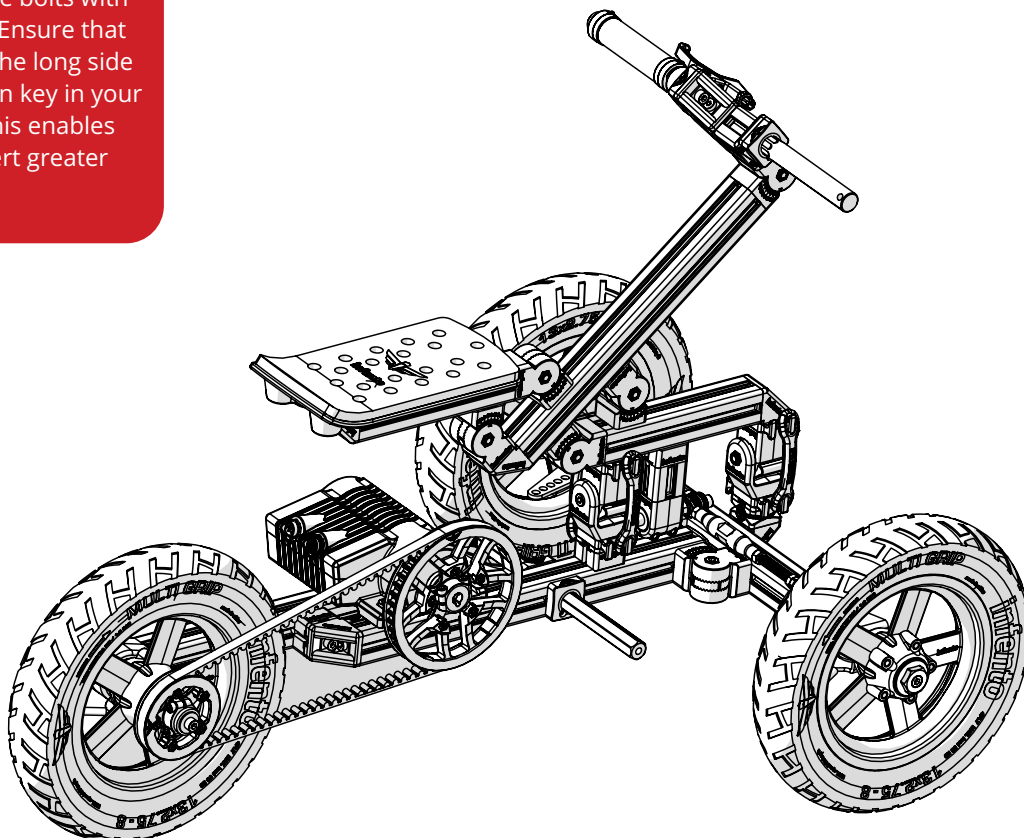


8

E-PULSE system



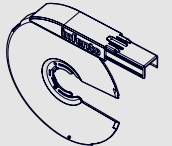
Tighten the bolts with full force. Ensure that you hold the long side of the Allen key in your hand as this enables you to exert greater force.



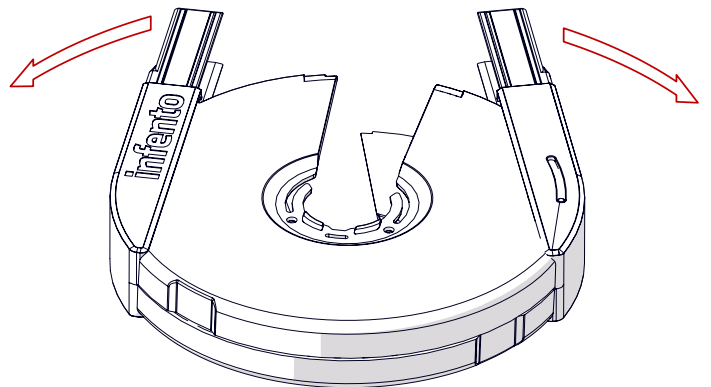
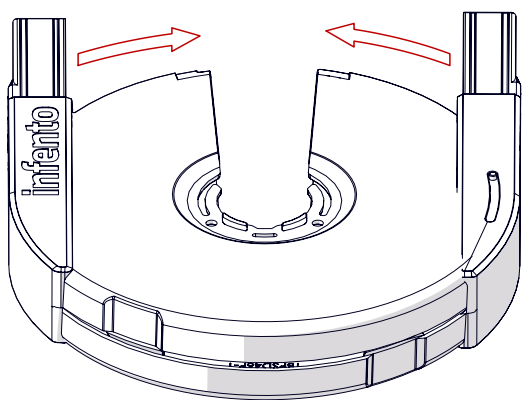
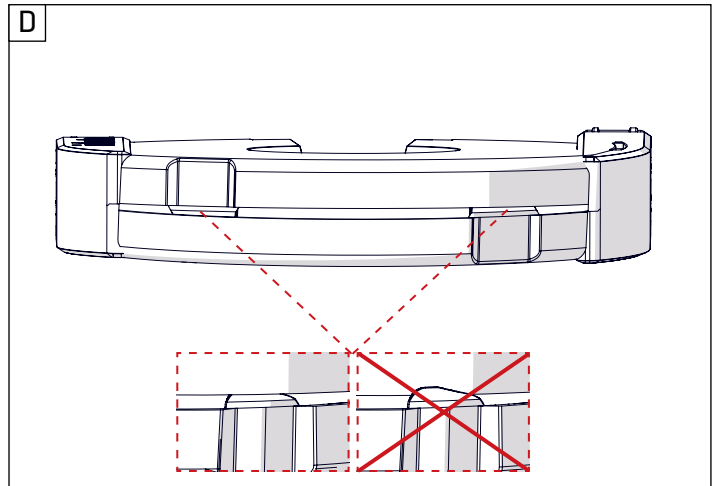
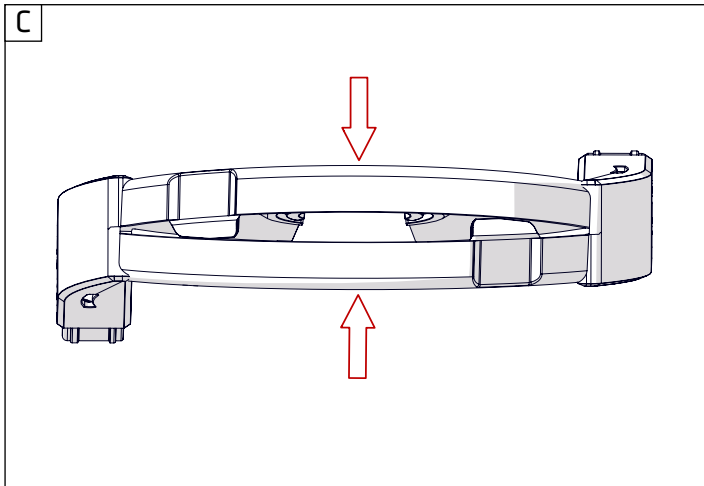
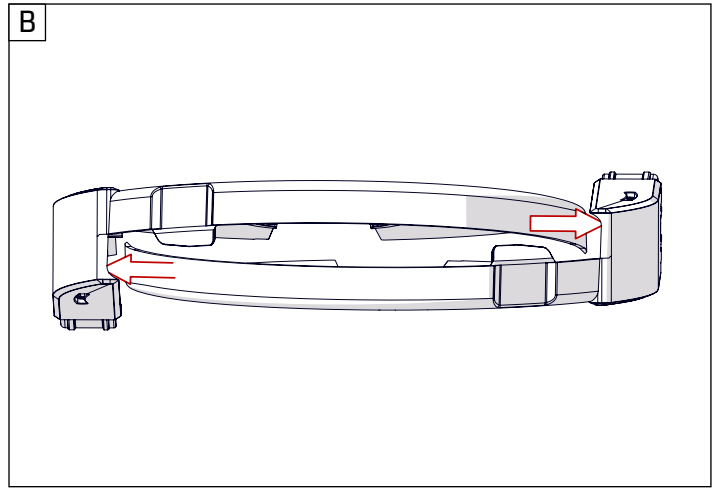
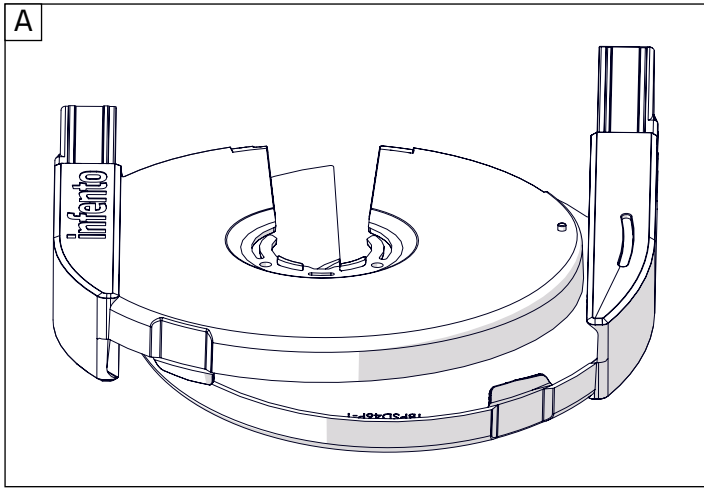


9

E-PULSE system



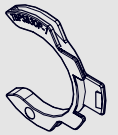
Belt shield cap 46T 2x



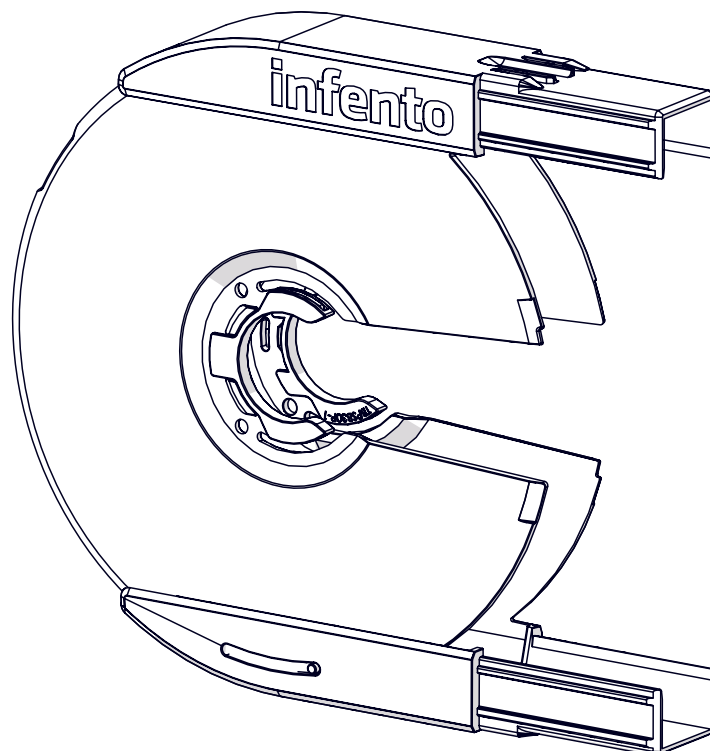
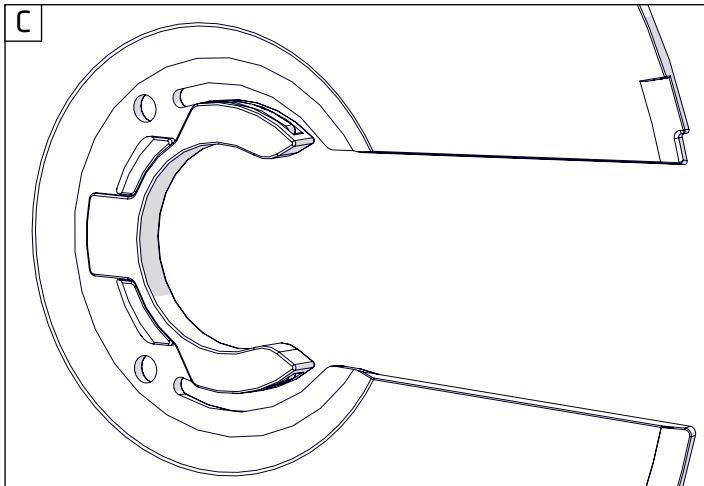
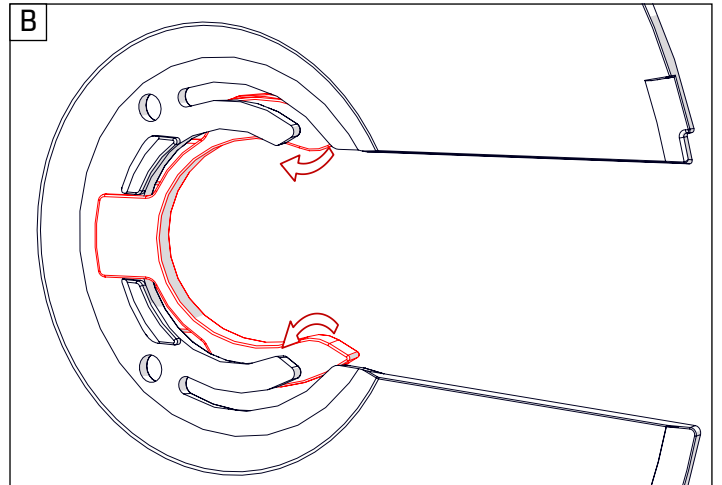
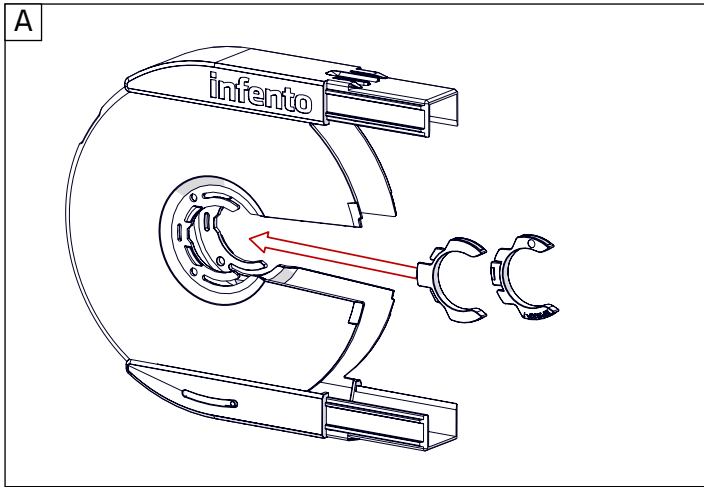


10

E-PULSE system



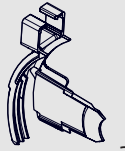
Belt shield 2x
nylon ring



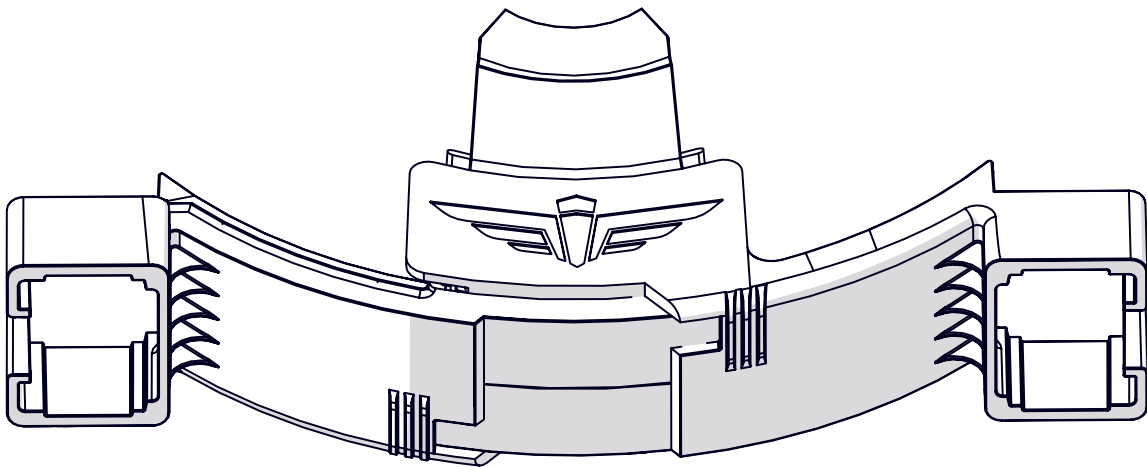
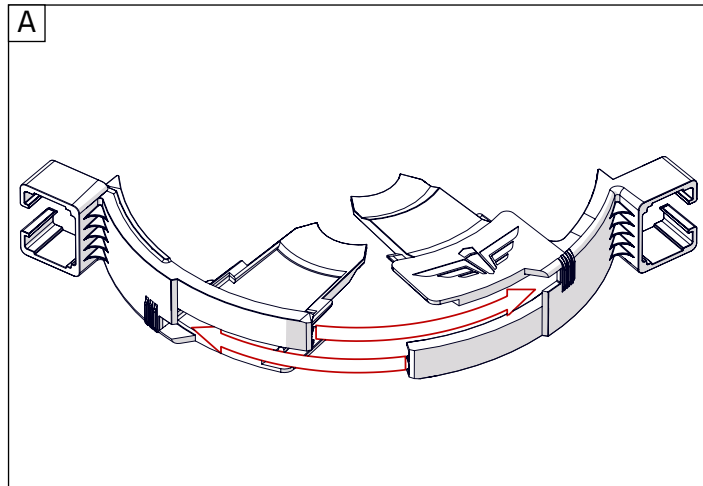


11

E-PULSE system



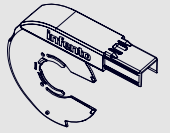
Belt shield 2x
centre 46T



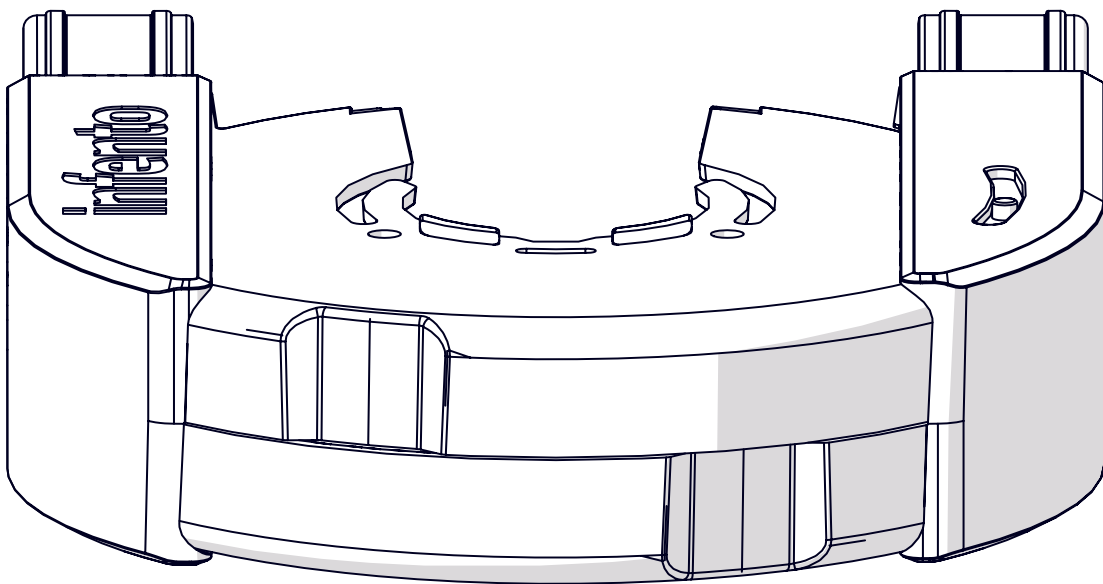
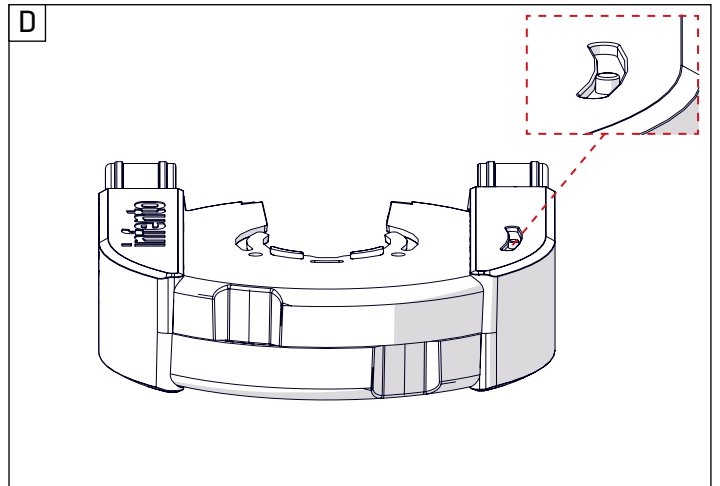
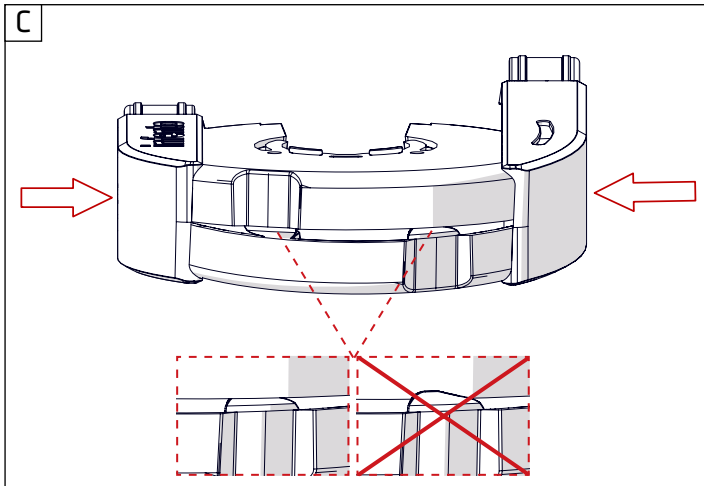
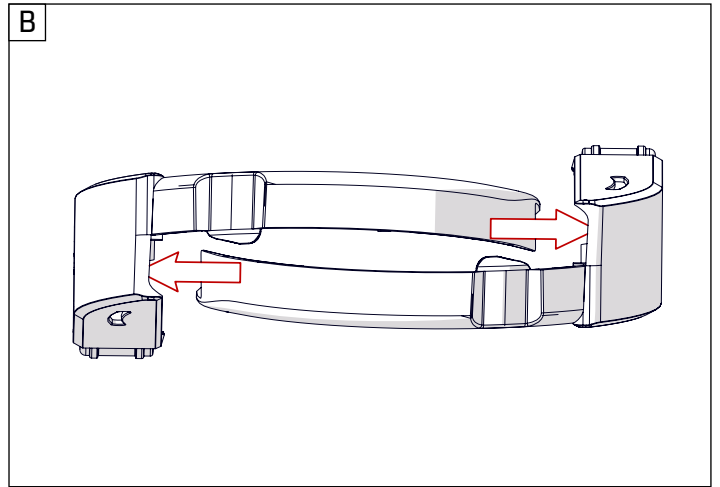
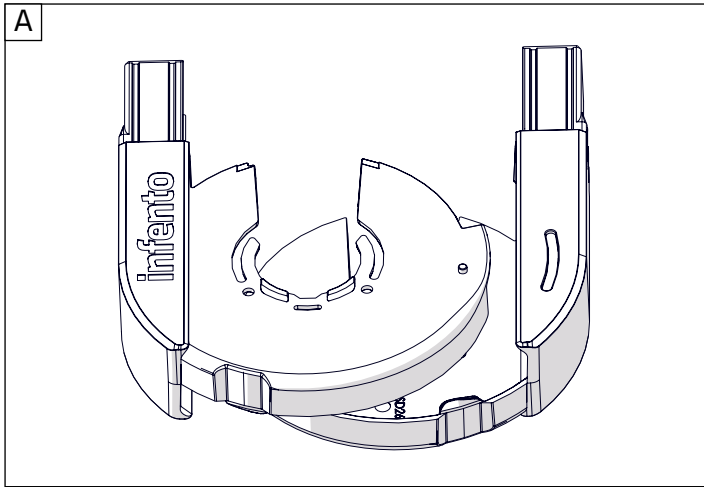


12

E-PULSE system



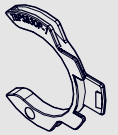
Belt shield 2x
cap 26T



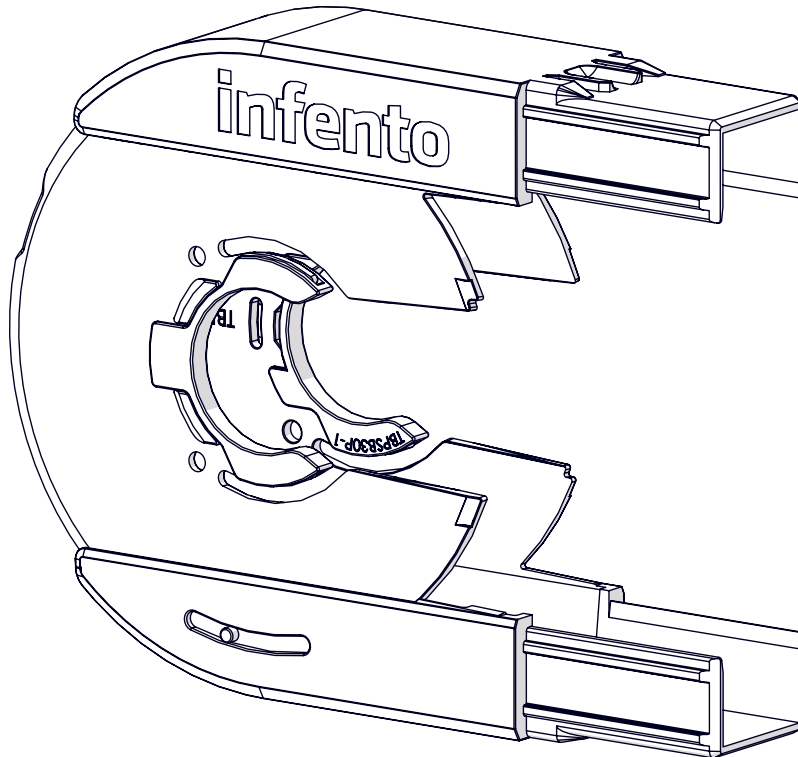
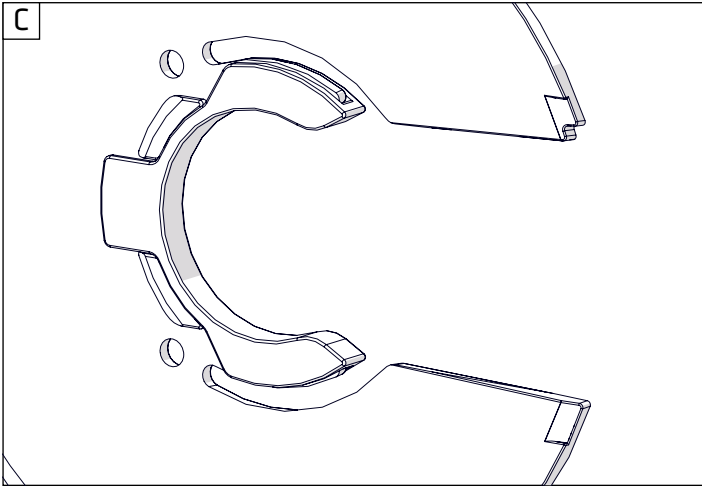
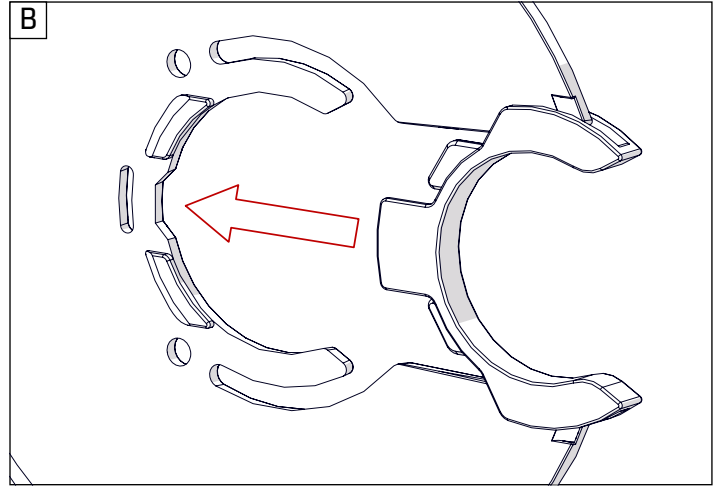
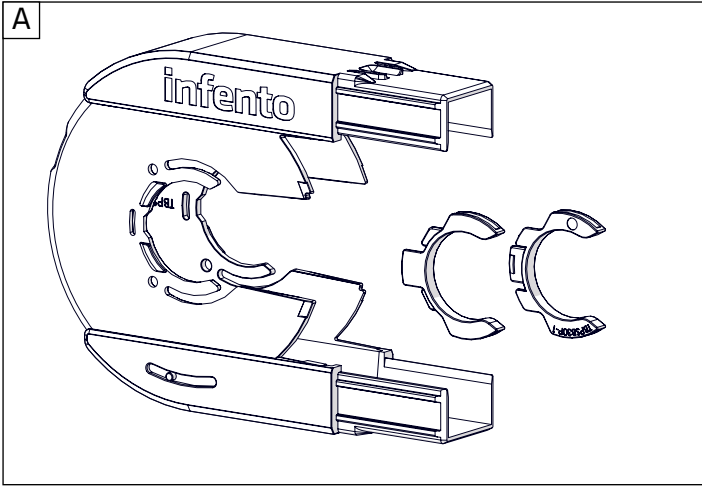


13

E-PULSE system



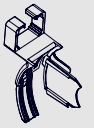
Belt shield 2x
nylon ring



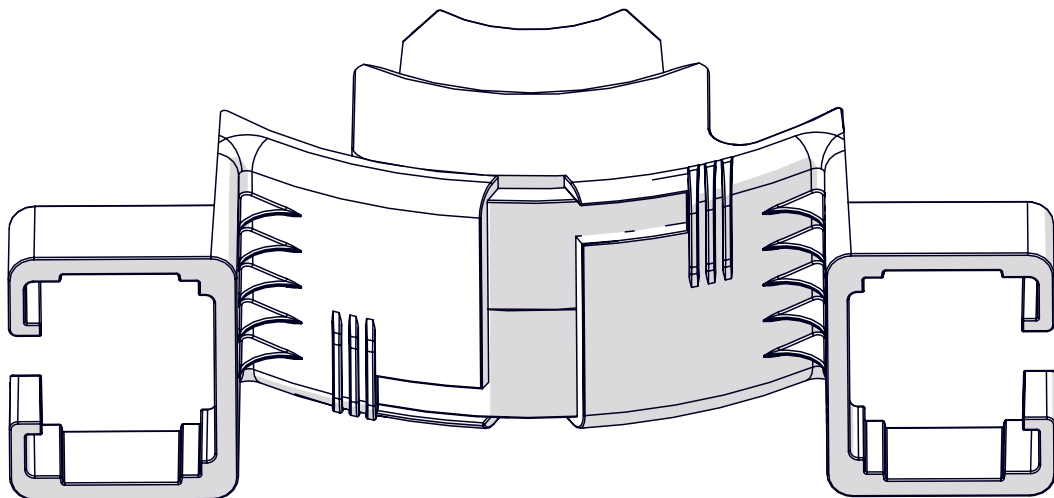
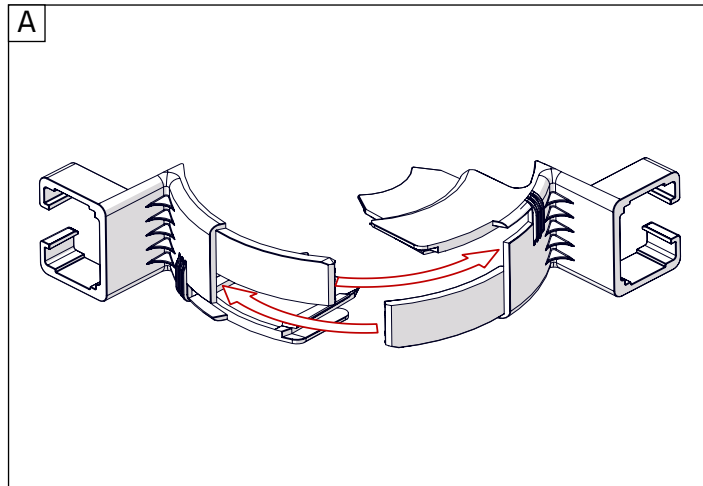


14

E-PULSE system






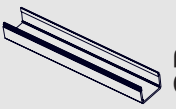


Belt shield 26T 2x

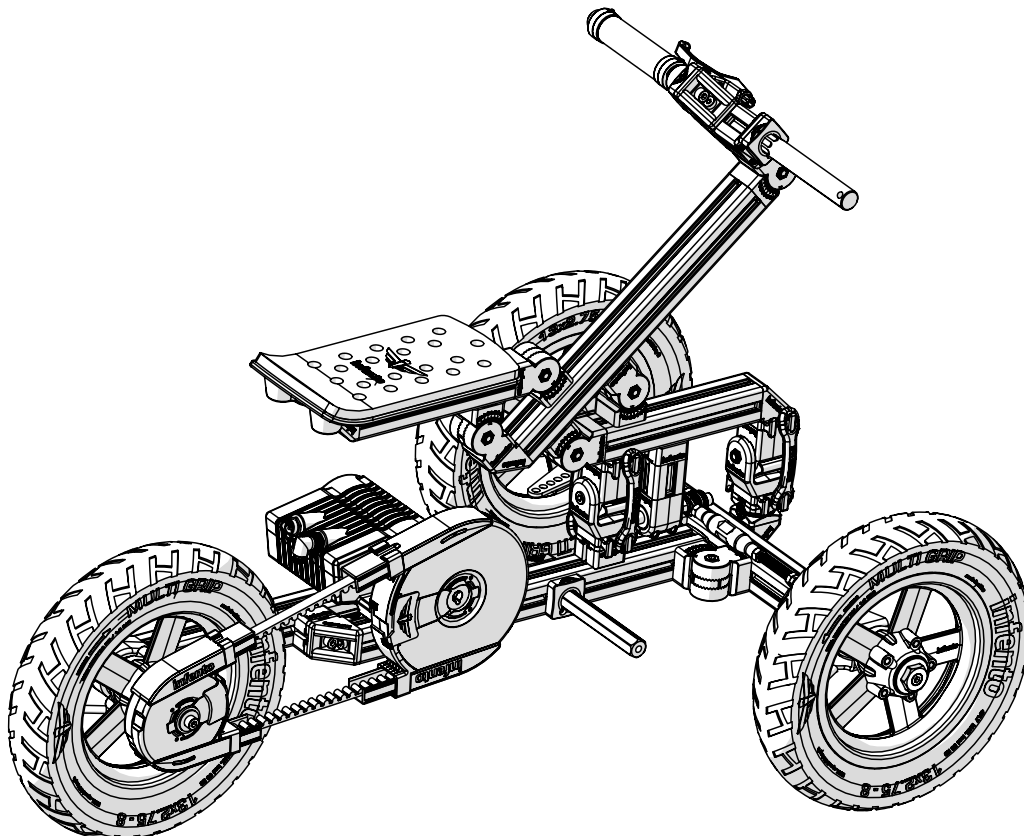
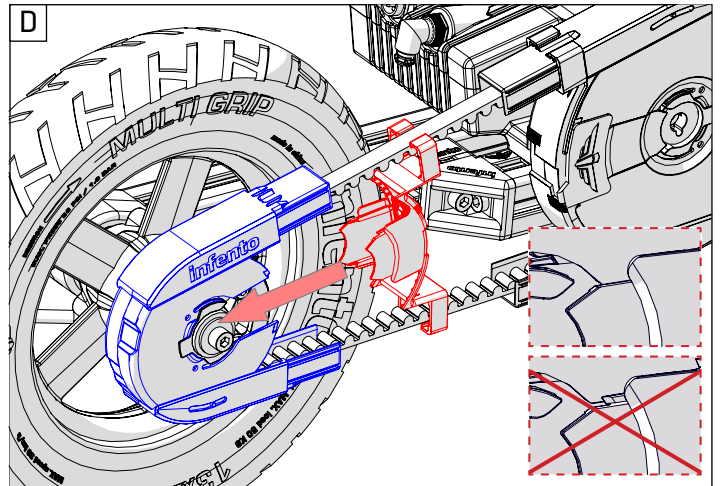
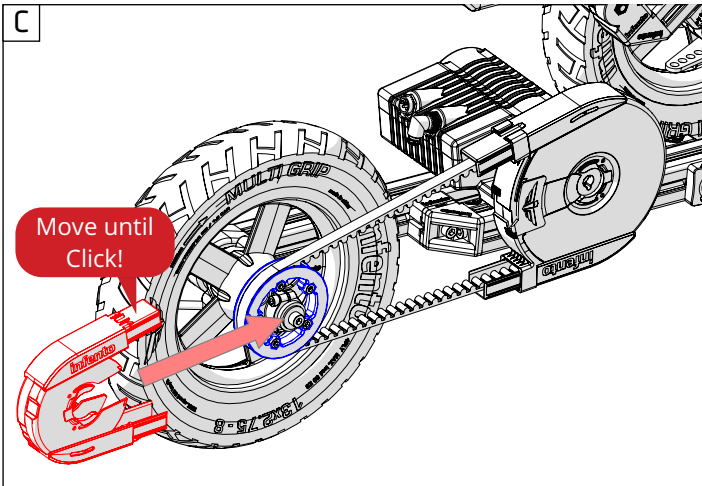
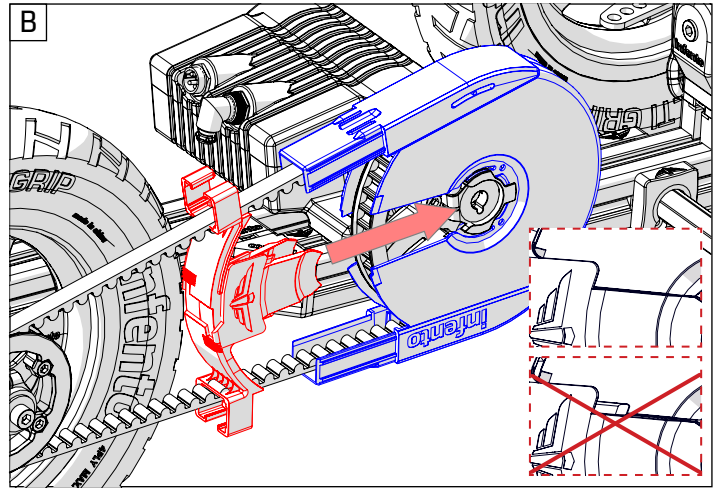
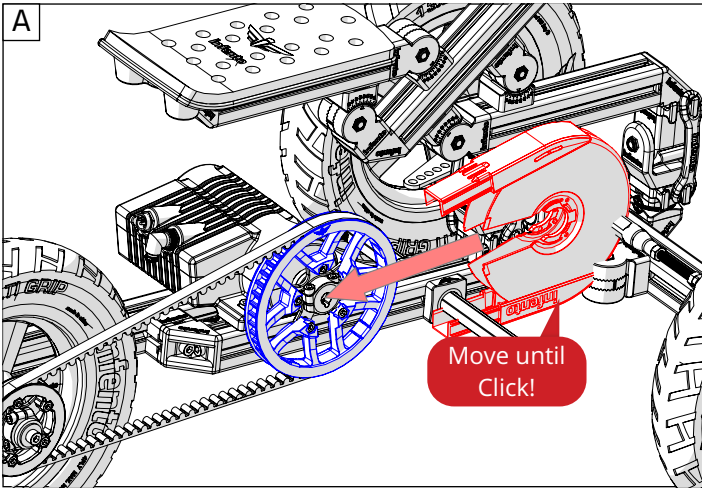




15

E-PULSE system

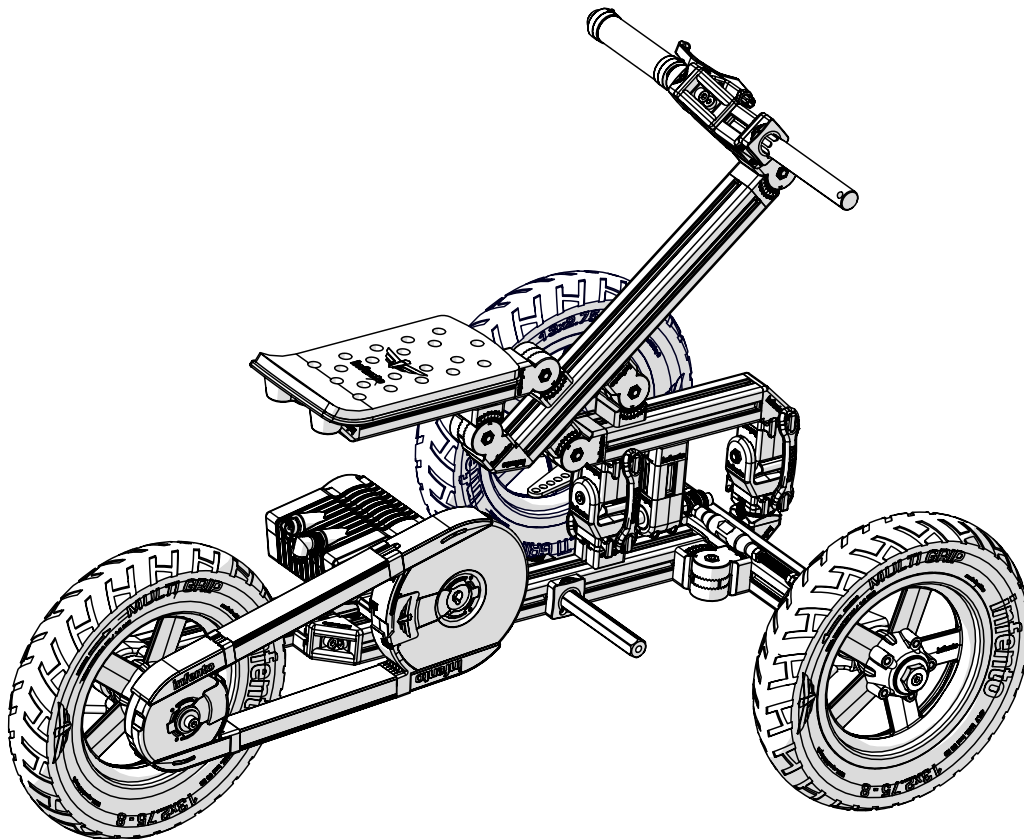
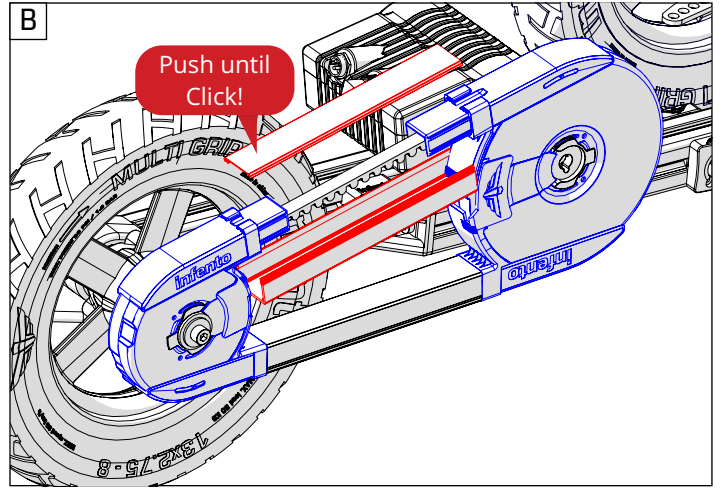
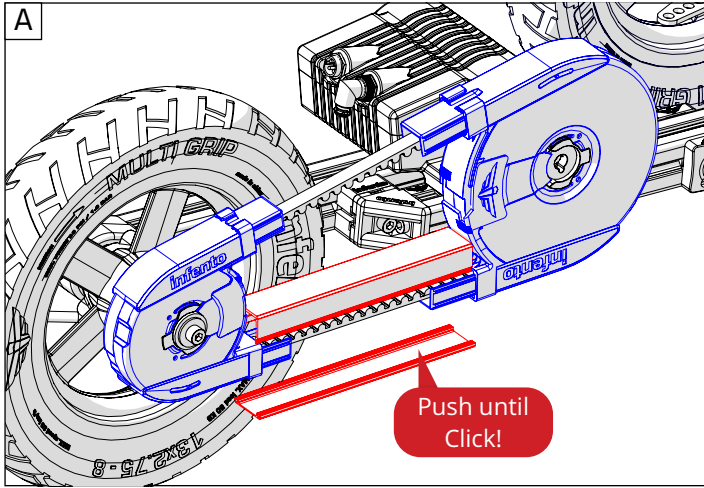
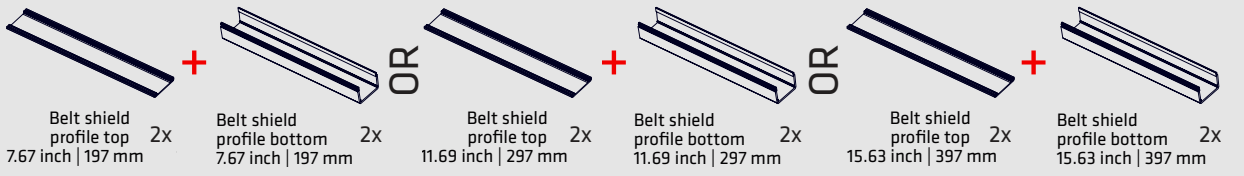
-  +  OR  +  OR  + 
- Belt shield profile top 2x
7.67 inch | 197 mm
- Belt shield profile bottom 2x
7.67 inch | 197 mm
- Belt shield profile top 2x
11.69 inch | 297 mm
- Belt shield profile bottom 2x
11.69 inch | 297 mm
- Belt shield profile top 2x
15.63 inch | 397 mm
- Belt shield profile bottom 2x
15.63 inch | 397 mm





16

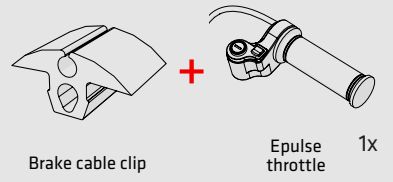
E-PULSE system



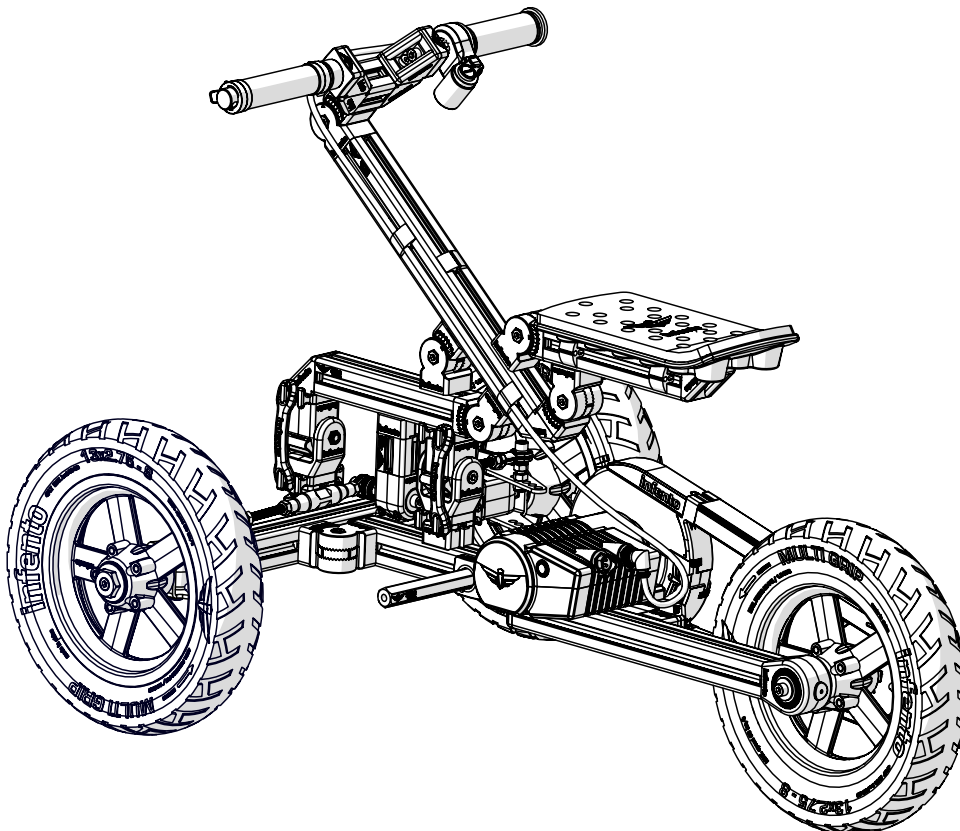
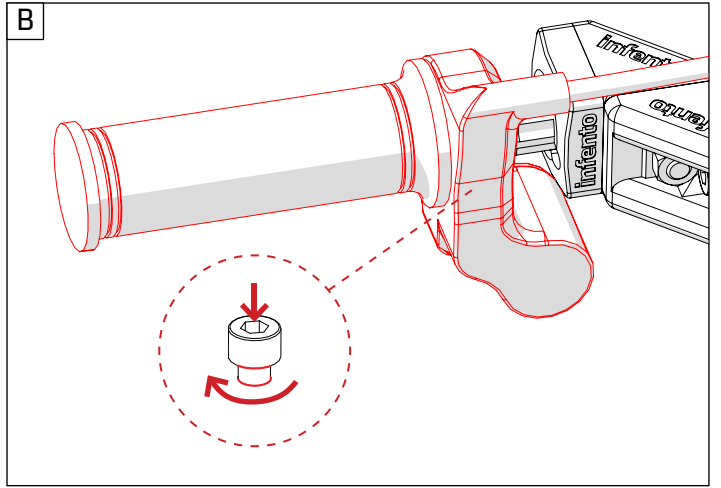
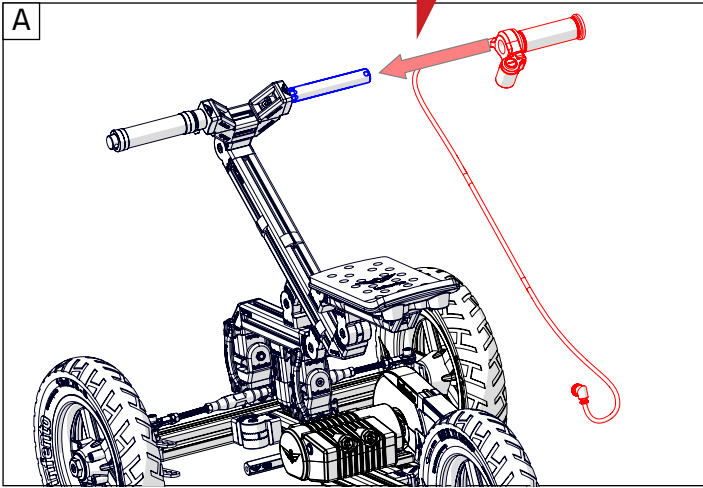


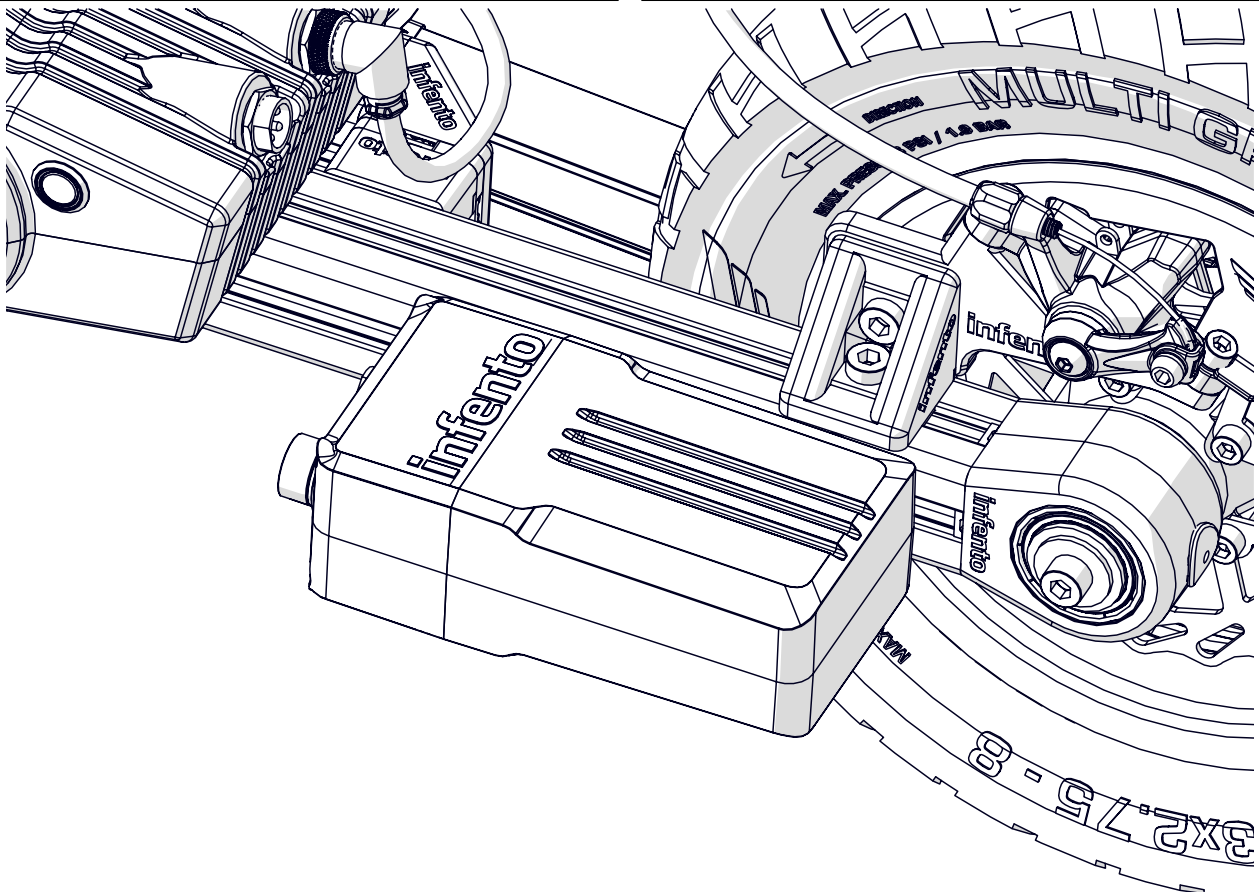
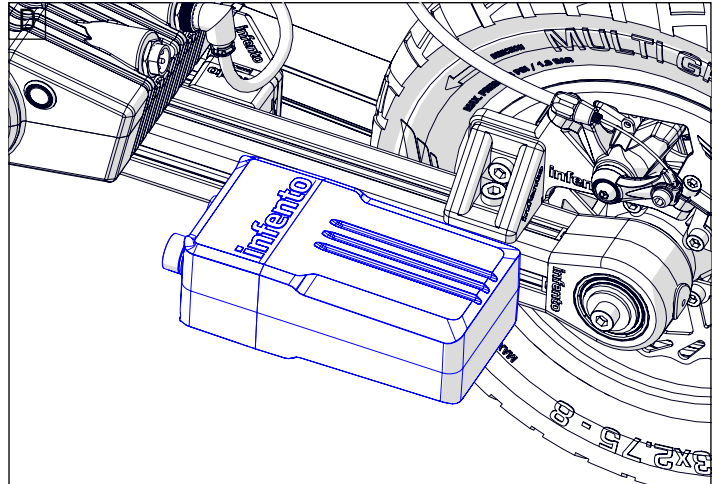
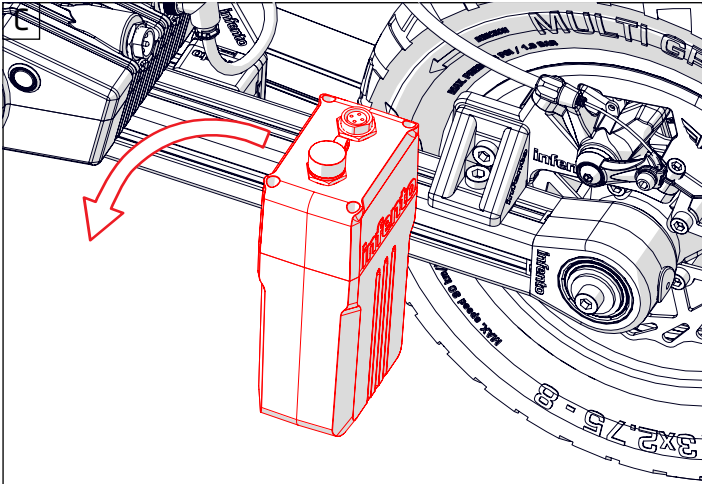
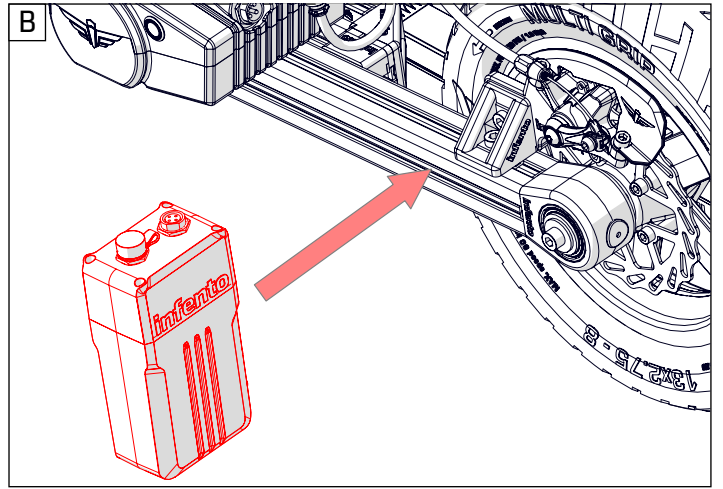
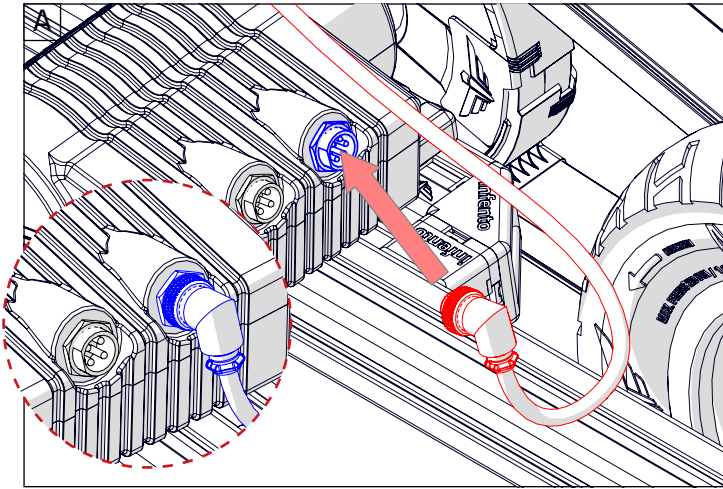
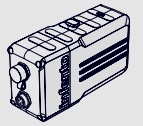
17

E-PULSE system



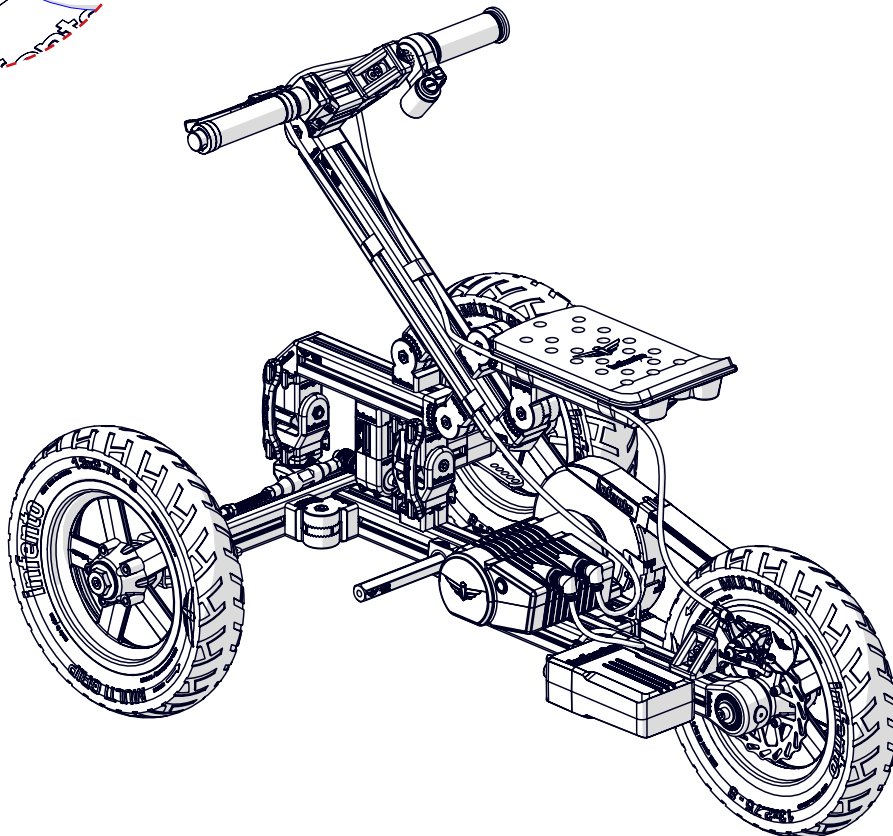
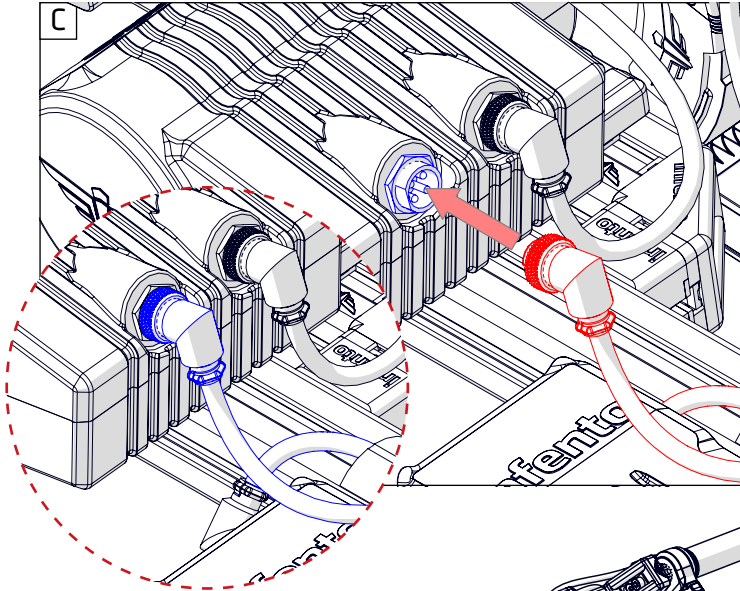
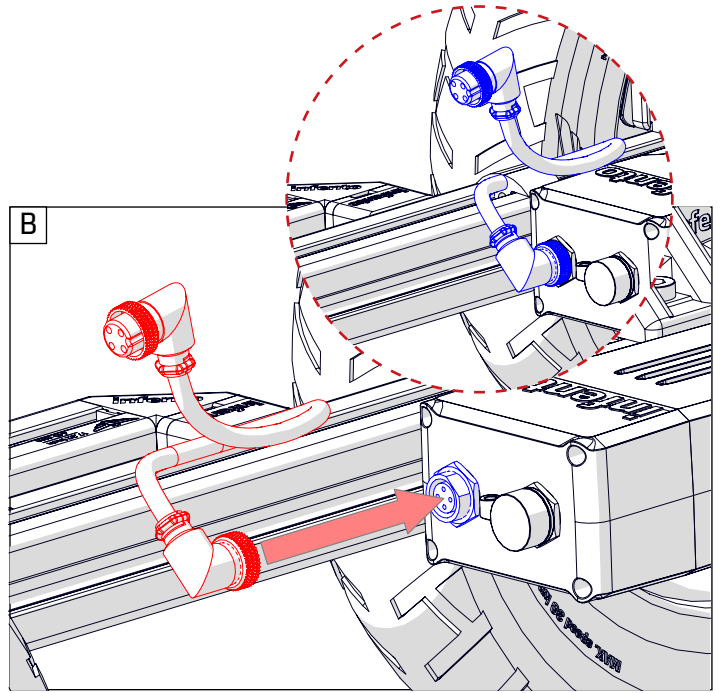
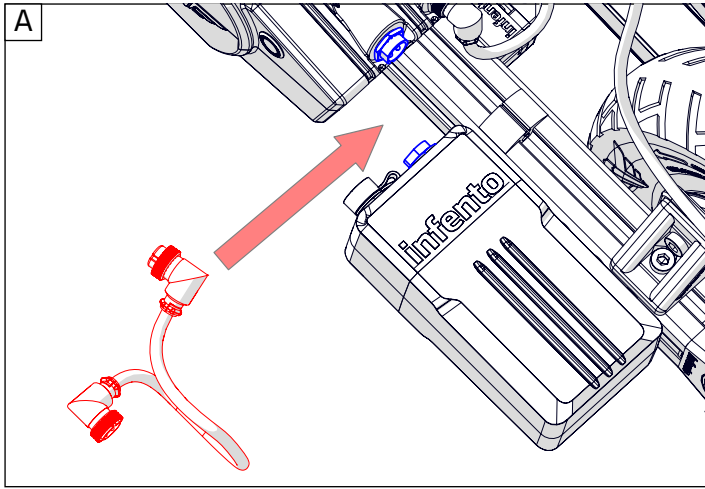
Use brake cable clips to mount the cable to the frame.







Epulse 1x
battery cable 30 cm





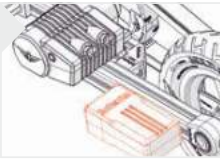
20

E-PULSE system

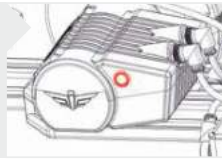
Did you already make a ride?

You can transform it into an electric ride by replacing the bearing block (holding the cranks and pedals) with the ePulse® motor! After installing the ePulse® motor, replace the right handle grip with the ePulse throttle.

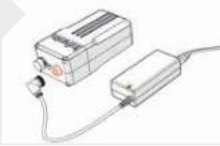
1 Attach the battery to an aluminium profile close to the ePulse® motor. The battery is ready for use right out of the box.



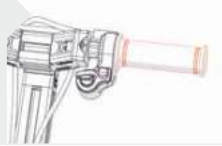
4 When both plugs are connected, you can turn on the motor by clicking the power switch on the side of the motor. This should light up red.



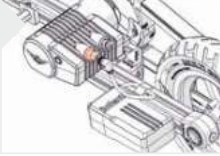
To charge it again you connect the battery to the adapter and plug it into a power socket. The battery is fully charged when the charger light turns green.



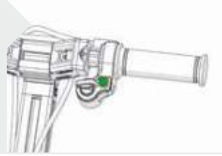
5 To start moving, turn the throttle towards you, just like a real motorcycle!



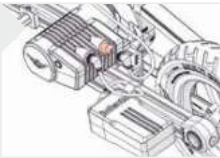
2 The motor has 2 plugs. Connect the battery cable to the 4-pin plug and plug it into the battery.



6 To reverse, press the green button on the throttle. Press it again to return to forward mode.



3 Connect the throttle cable to the 5-pin plug.



7 You want to go faster? Turn your key to the right. Now you have access to extra speed!



IMPORTANT

1. The ePulse® system has to be assembled by an adult using Infento manuals.
2. Packaging must be retained since it contains important information.
3. Only use battery(ies) supplied by Infento and intended for the Infento ePulse® system.
4. Only use the battery charger supplied by Infento and intended for the Infento ePulse® system.
5. Ride on smooth, paved, level surfaces away from motor vehicles. Wet, slick or uneven and rough surfaces may impair traction and contribute to possible accidents.

USE AND MAINTENANCE OF CHARGER

- The charger supplied with the ePulse® system should be regularly examined for damage to the cord, plug, enclosure and other parts. In the event of such damage, the ePulse® system must not be charged until the charger has been repaired or replaced.
- Use caution when charging. Do not charge unattended.
- The charger is not a toy - the rechargeable battery in the ePulse® system is only to be charged by an adult who has read and understood the safety warnings.
- Do not operate the charger near flammable materials.
- Unplug the charger from the power source and disconnect the cable from the ePulse® system when not in use.
- Note: If the charger gets warm during regular use, this is a normal response and is no cause for concern. If your charger does not get warm during use, it does not mean that it is not working properly. Charger should not get so hot that you can't touch it.
- Charging time may vary. Empty battery will charge in about 2.5 hours.
- Failure to recharge battery at least every 6 months may result in a battery that will not accept a charge.
- The ePulse® system is not to be connected to more than 1 power supply.
- Make sure the ePulse® system's power switch is turned OFF when it is not in use. If the power switch is left on for an extended period of time, the battery may reach a stage at which it will no longer hold a charge.
- To ensure long battery life, never store the product in freezing or below freezing temperatures. Freezing will permanently damage the battery.
- Contains Li-ion battery. Battery must be recycled.

Enjoy your ride! You can drive up to one hour with a fully charged battery. Done driving? Please make sure you switch your motor off again. The red light on the power switch should turn off.



Warning! Not suitable for children under 36 months due to its maximum speed.



Warning! To be used under the direct supervision of an adult.

Warning! Potential hazards of using the toy in areas other than private grounds.

Warning! Like other electric ride-on products, the ePulse® system mounted on a ride can and is intended to move, and it is therefore possible to lose control, fall off and/or get into dangerous situations that no amount of care, instruction or expertise can eliminate. If such things occur you can be seriously injured or die, even when using safety equipment and other precautions. RIDE AT YOUR OWN RISK AND USE COMMON SENSE

Warning! Persons with any mental or physical conditions that may make them susceptible to injury, impair their physical dexterity or mental capabilities to recognize, understand, and follow safety instructions and to be able to understand the ha-

zards inherent in a product's use, should not use or be permitted to use products inappropriate for their abilities. Persons with heart conditions, head, back or neck ailments (or prior surgeries to these areas of the body), or pregnant women, should be cautioned not to operate this product.

WARNINGS TO AVOID SERIOUS INJURY:

1. Protective equipment should be worn. Not to be used in traffic. Always wear safety equipment such as a helmet, knee pads and elbow pads. We recommend riders always wear a properly fitted helmet that complies with local or national guidelines or laws. Keep chinstrap of helmet securely buckled.
2. Always check and obey any local laws or regulations which may affect the locations where the ePulse® system may be used. The ePulse system is meant to be used on private property and on closed courses, and not on public streets or sidewalks. Do not ride your electric product in any areas where pedestrian or vehicle traffic is present.
3. It is the responsibility of the adult to educate the child,

determine if they are fit to operate the vehicle, and supervise use.

4. Do not turn the power switch in the ePulse® system to ON or turn the throttle unless you are seated and in a safe outdoor environment suitable for riding. Always turn the power switch to OFF before stepping off the vehicle. Never use headphones or a cell phone when riding. Never hitch a ride with another product.
5. Do not disassemble or modify the ePulse® system. The lithium battery inside contains safety and protection devices which, if damaged, may cause the battery to generate heat, explode or ignite.
5. Immediately discontinue use of the ePulse® system (battery inside) if, while using, charging or storing it, the ePulse® system (battery inside) emits an unusual smell, feels hot, changes color or shape, or appears abnormal in any other way. Contact our support if this occurs.
6. Do not place the ePulse® system (battery inside) in or near fire, on stoves or other high temperature locations. Do not place the ePulse® system (battery inside) in direct sunlight, or use or store the ePulse® system (battery inside) inside cars in hot weather. Doing so may cause the battery to generate heat, explode or ignite. Using the battery in this manner may also result in a loss of

performance and a shortened life expectancy.

6. Do not use the ePulse® system in wet or icy weather and never immerse this electric product in water, as the electrical components and battery could get damaged by water or possibly create other unsafe conditions.
7. Never use near swimming pools.
8. Use in snow at own responsibility.
9. Do not place the ePulse® system in microwave ovens, high-pressure containers or on induction cookware.
10. Do not touch the motor on your product when in use (or after using) as it can become very hot.
11. Do not touch the battery on your product when in use (or after using) as it can become very hot.
12. In the event the battery leaks and the fluid gets into one's eye, do not rub the eye. Rinse well with water and immediately seek medical care. If left untreated, the battery fluid could cause damage to the eye.
13. Infento will not be responsible or liable, directly or indirectly, in any way for any loss or damage of any kind incurred as a result of your decision to use the ePulse® system in a different way than we describe in our instructions and manuals.

E-PULSE^{G1}



THANK YOU FOR READING ME!