



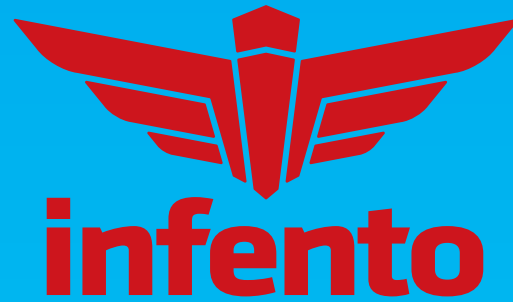
AGE: 4-6 YEARS
MAX. LOAD: 75 lb / 34 KG
LENGTH: 110 CM - 125 CM
TIME TO BUILD: 1 HR
WEIGHT: 11 lb / 5 KG



DIFFICULTY



MOXIE ^{G1}



World's first real constructible rides



WARNING - IMPORTANT NOTICE TO PARENTS

Before you start constructing and use our product, please carefully read the following safety warning. This safety warning and manual contains important information relating to your child's safety. It is your responsibility to review this information with your child and make sure they are fully aware of all the warnings before they start riding. Failure to follow instructions and safety precautions can result in serious injury or death.

You can find a digital copy of all the manuals
at the following web address:

www.infento.com

SUSTAINABILITY IS ONE OF OUR COMPANY'S PILLARS AND
THEREFORE WE OFFER **DIGITAL MANUALS** ONLY. WOULD YOU STILL LIKE
TO PRINT THIS MANUAL? WE SUGGEST TO PRINT IT IN BLACK AND WHITE
AND TO PRINT 2 OR 4 PAGES PER SHEET.

SAFETY SECTION



WARNING! PARENTAL SUPERVISION AND APPROPRIATE USE

Like any moving product, rides made from Infento parts can be dangerous if due care and attention is not paid. To reduce the risk of serious injury: use only under close adult supervision. Parents must review the following warnings and instructions with each Infento ride that is being build. It is your responsibility to review this information and make sure that all riders understand all warnings, cautions, instructions and safety topics, and assure that young riders are able to safely and responsibly use this product. Infento recommends that you periodically review and reinforce the information in this manual with younger riders, and that you inspect and maintain your child's Infento rides to insure their safety.

WARNING! RIDING ON INFENTO RIDES CAN BE A DANGEROUS ACTIVITY

Riding on Infento rides can be a dangerous activity. Certain conditions may cause the equipment to fail without fault of the manufacturer. Rides made from Infento parts can and are intended to move, and it is therefore possible to lose control, fall off and/or get into dangerous situations that no amount of care, instruction or expertise can eliminate. If such things occur you can be seriously injured or die, even when using safety equipment and other precautions. Ride at your own risk and use common sense.

WARNING! NO LIABILITY FOR CONSTRUCTED RIDES THAT DIFFER FROM OUR MANUALS

The rides that you can find in our manuals have been tested by official independent testing agencies.

We will not be responsible or liable, directly or indirectly, in any way for any loss or damage of any kind incurred as a result of your decision to build constructions or rides that differ from the official rides that we show in our manuals.

ASSEMBLY – SUBSECTION

WARNING! OUR KITS CONTAIN SMALL PARTS

This package contains small parts which, before assembly, present a choking hazard to children under the age of three. Care should be taken during unpacking and assembly to insure that all small parts and plastic bags are accounted for and kept out of the reach of children.

WARNING! TO AVOID SERIOUS INJURY:

1. Toys are to be assembled by an adult using Infento manuals.
2. All fasteners (bolts and nuts) should be fully tightened.
3. It is the responsibility of the adult who assembles this bicycle to properly install all parts included in the factory sealed shipping carton and to make the adjustments to the functional parts such as handle bar and seat and chain when necessary.

USE – SUBSECTION

WARNING! TO AVOID SERIOUS INJURY:

1. Continuous adult supervision is required.
2. Only ride constructed rides that have been built according to the instructions given in the official

Infento manual.

3. Never exceed the maximum weight. You can find the maximum weight for every specific ride in our manual.
4. Always check the manual to see the minimum and maximum age as well as the minimum and maximum length for every specific ride.
5. Always wear safety equipment such as a helmet, knee pads and elbow pads. We recommend riders always wear a properly fitted helmet that complies with local or national guidelines or laws. Keep chinstrap of helmet securely buckled.
6. Always wear closed toed shoes (lace-up shoes with rubber soles), never ride barefooted or in sandals, and keep shoe laces tied and out of the way of the wheels.
7. Avoid streets and surfaces with water, sand, gravel, dirt, leaves, and other debris. Wet weather impairs traction, braking and visibility.
8. Excessive exposure to sunlight, temperatures below 0 degrees Celsius, water, sand, gravel, dirt, leaves, and other debris can damage, shrink, expand or weaken parts. Keep your ride in a dry environment with proper heating.
9. Avoid sharp bumps, drainage grates and sudden surface changes. Your Infento ride may suddenly stop.
10. Ride on smooth, paved surfaces away from motor vehicles. Wet, slick or uneven and rough surfaces may impair traction and contribute to possible accidents.
11. Never risk damaging surfaces, such as carpet or flooring, by use of an Infento ride indoors.
12. Never use near motor vehicles, streets, roadways, alleys, swimming pool areas, hills, steps, sloped driveways, inclines and public highways.
13. Watch out for pedestrians, skaters, skateboards, scooters, bikes, children or animals who may enter your path, and respect the rights and property of others.

14. Avoid excessive speed associated with downhill rides.

15. Do not use at night or in periods with reduced visibility.
16. Before every use, please make sure that the complete ride and all joints have been assembled tightly, as with use, joints may wear out.
17. Before using your Infento ride, please check that the screws are tightened securely.
18. It's your own responsibility if you modify the product other than manufacturer's instructions.
19. Maintain a hold on the handlebars at all times.
20. Brake will get hot from continuous use. Do not touch after braking.
21. Periodically check hardware and tighten if necessary. Replace worn or broken parts immediately.
22. Skill is required to avoid falls or collision causing injury to the user and third parties.
23. Check operation of breaks every time before bicycle is ridden.
24. Check local laws before you start with riding.
25. Never tow wagons, other vehicles, or children on skates or skateboards.
26. Make certain that anyone who uses an Infento ride has been fully instructed in its operation.
27. Instruct your child on how to use the breaks.
28. Do not perform stunts.
29. Never use headphones or a cell phone when riding.
30. Only one rider at a time on an Infento ride.
31. Do not allow children to stand on the product at any time.

FAILURE TO USE COMMON SENSE AND HEED THE ABOVE WARNINGS INCREASES RISK OF SERIOUS INJURY. USE WITH APPROPRIATE CAUTION AND SERIOUS ATTENTION TO SAFE OPERATION.

SAFETY SECTION



WARNING! PROTECTIVE EQUIPMENT SHOULD BE WORN.

Not to be used in traffic.
50 kg max.



OUR KITS CONTAIN SMALL PARTS

This package contains small parts which, before assembly, present a choking hazard to children under the age of three. Care should be taken during unpacking and assembly to insure that all small parts and plastic bags are accounted for and kept out of the reach of children.

QUESTIONS? HELP NEEDED?

You can email us at:
support@infento.com
and our team will assist you as soon as possible.



MAINTENANCE | INSTRUCTION



1. Oil or grease moving parts periodically.
2. Check nuts and bolts often and tighten if necessary.
3. Any parts showing evidence or wear should be replaced immediately.
4. Follow closely the assembly instructions pertaining to the proper adjustments of parts
5. Periodically check the brake system for proper function
6. Periodically check the steering mechanism for proper function
7. Check the air pressure in the tires to be the amount specified in the manual
8. Periodically check the bicycle's tooth belt to be sure that it is not too loose which could allow the chain to slip off the sprockets.

INCLUDED TOOLS



4 x Allen key
3, 4, 5, 6 mm

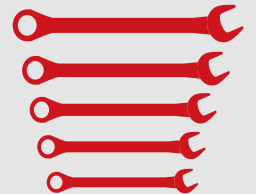


1 x Handtool
for Allen keys

RECOMMENDED ADDITIONAL TOOLS



1 x Tapeline



5 x Wrench
10, 13, 14, 15, 19 mm

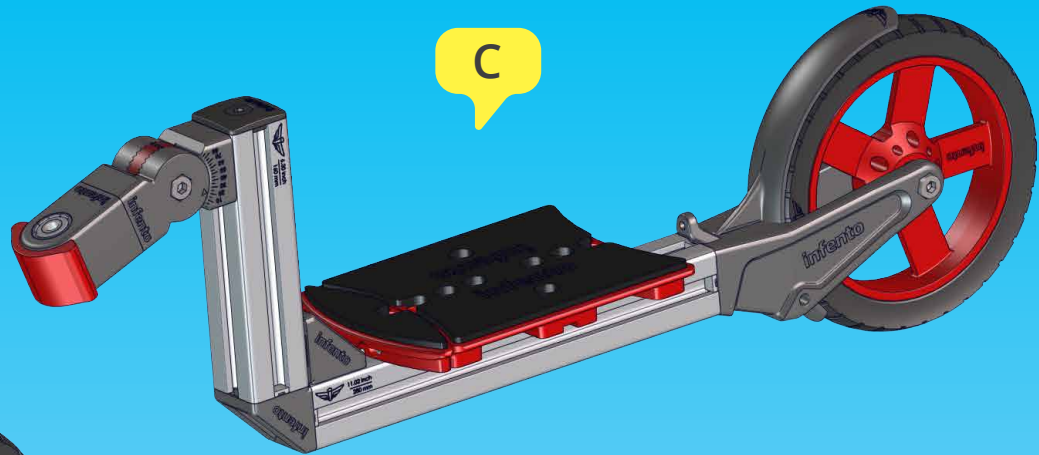


A

B



C



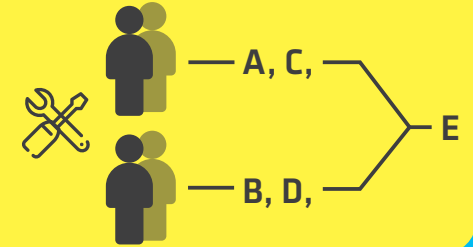
One-Way Build

Build solo or as a collaborative team of two. As a team one can collect the parts and give a helping hand where needed while the other does assembly. You can change roles whenever you like.



Two-Way Build

You are with two or more people. You're all skilled enough to build separate constructions. Everyone done? Combine constructions to form the complete Ride!

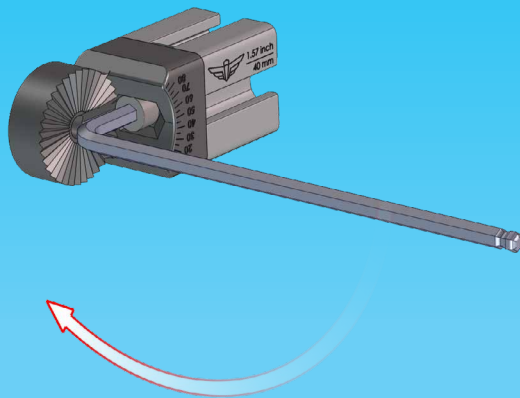


TOP 3 REQUIREMENTS MAKING A GREAT INFENTO EXPERIENCE:



1

Tighten bolts with full force (15Nm) to prevent them from coming loose.



2

Constructing and playing always under supervision of an adult.



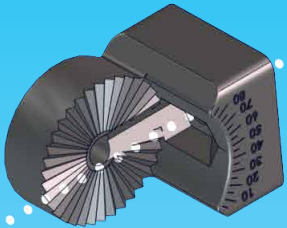
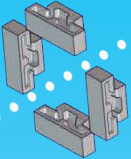
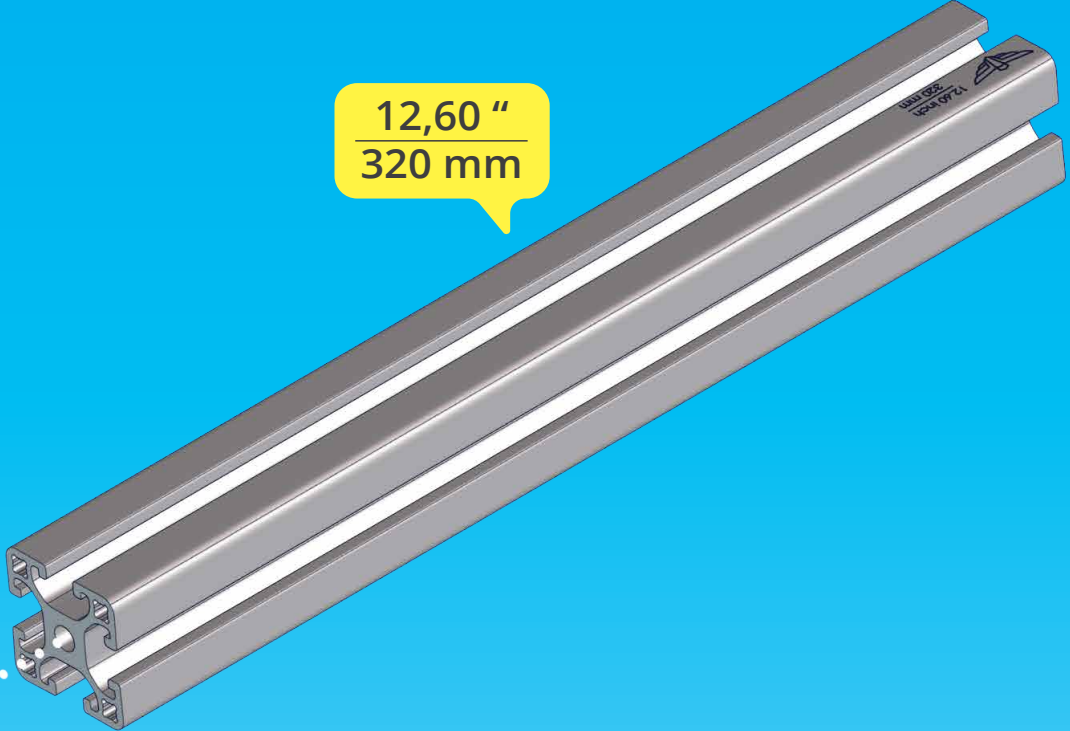
3

Check frequently if all parts are still firmly tightened and function properly.





12,60 "
320 mm

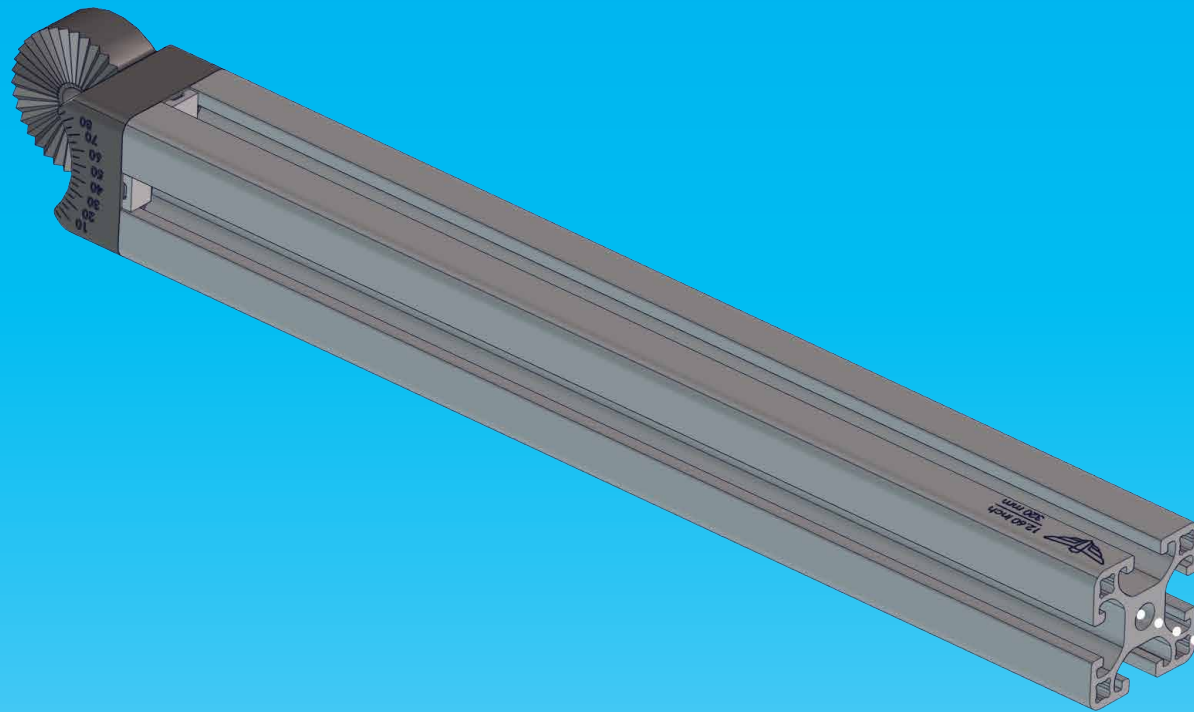


M8x20
NYLOCK





A.2



M8x12
COUNTERSUNK





A.3



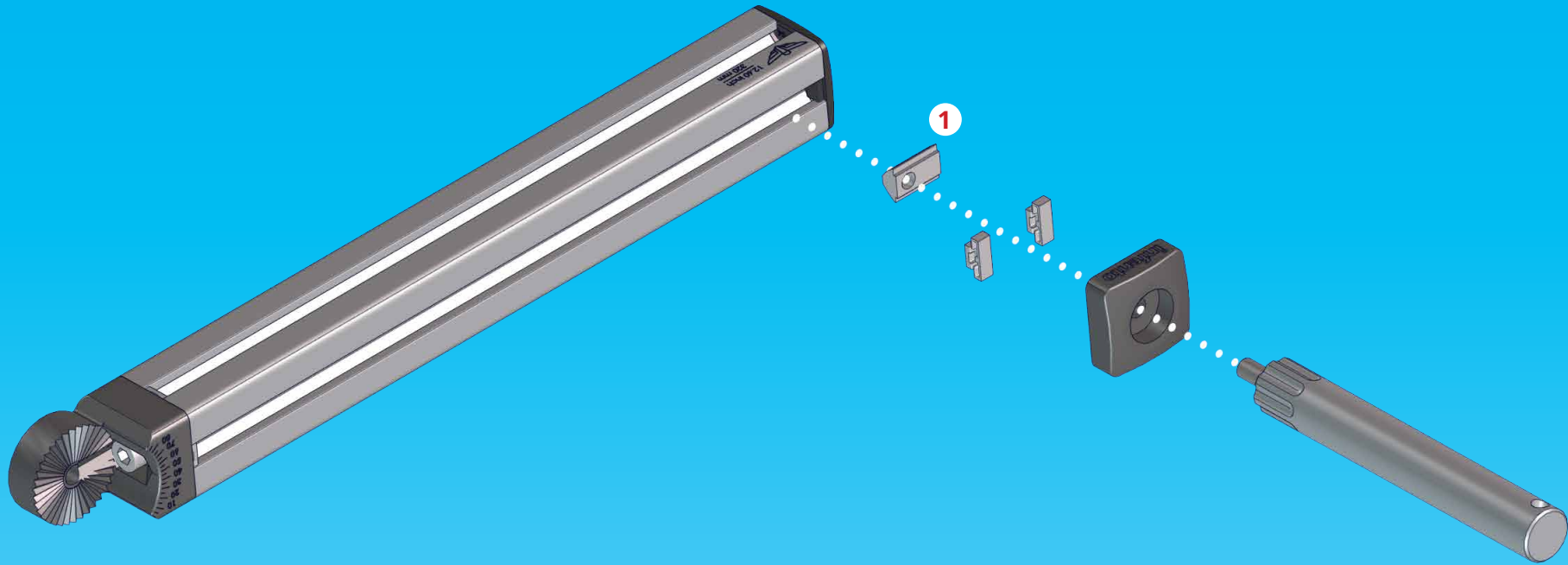
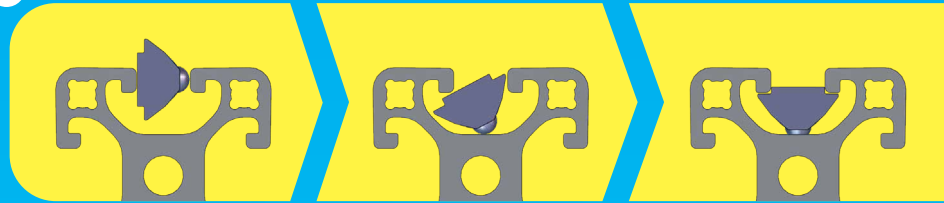
2x

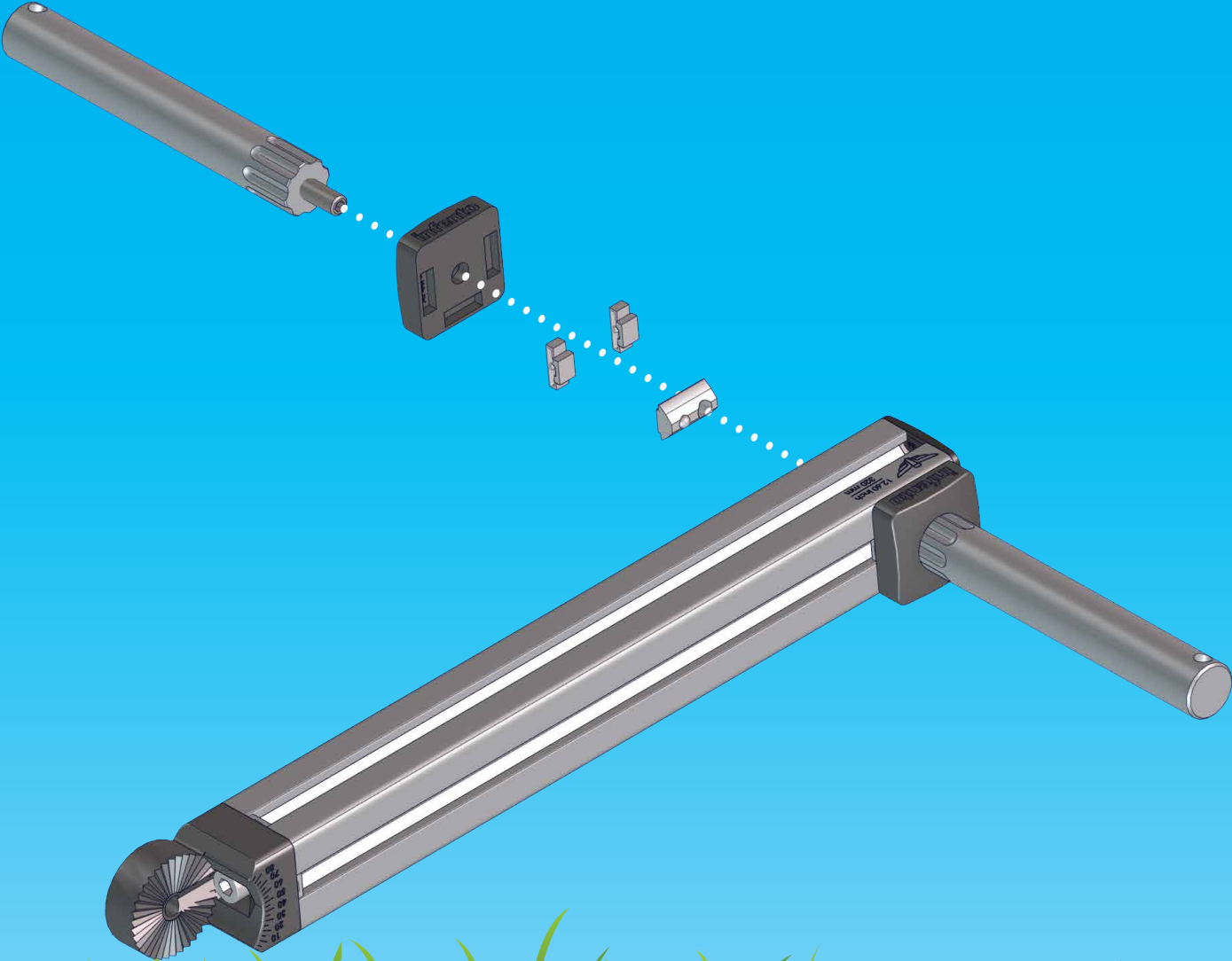
M8x35
ADJUSTING BOLT





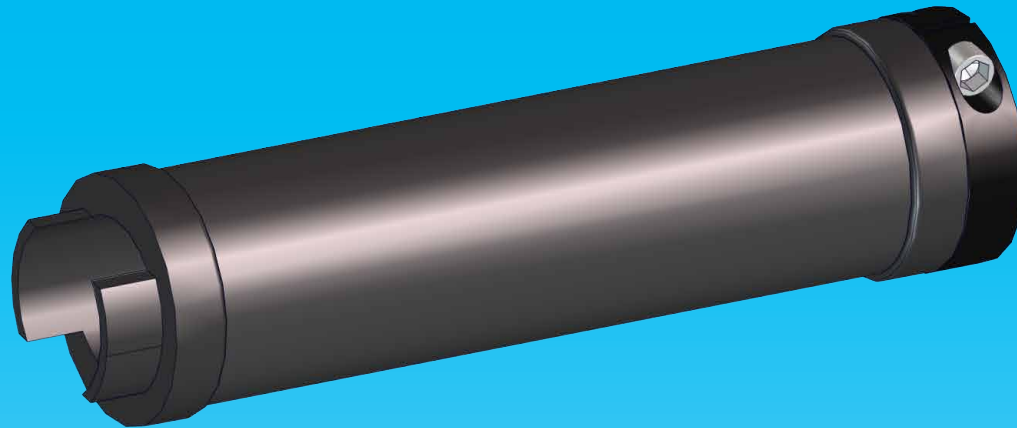
1



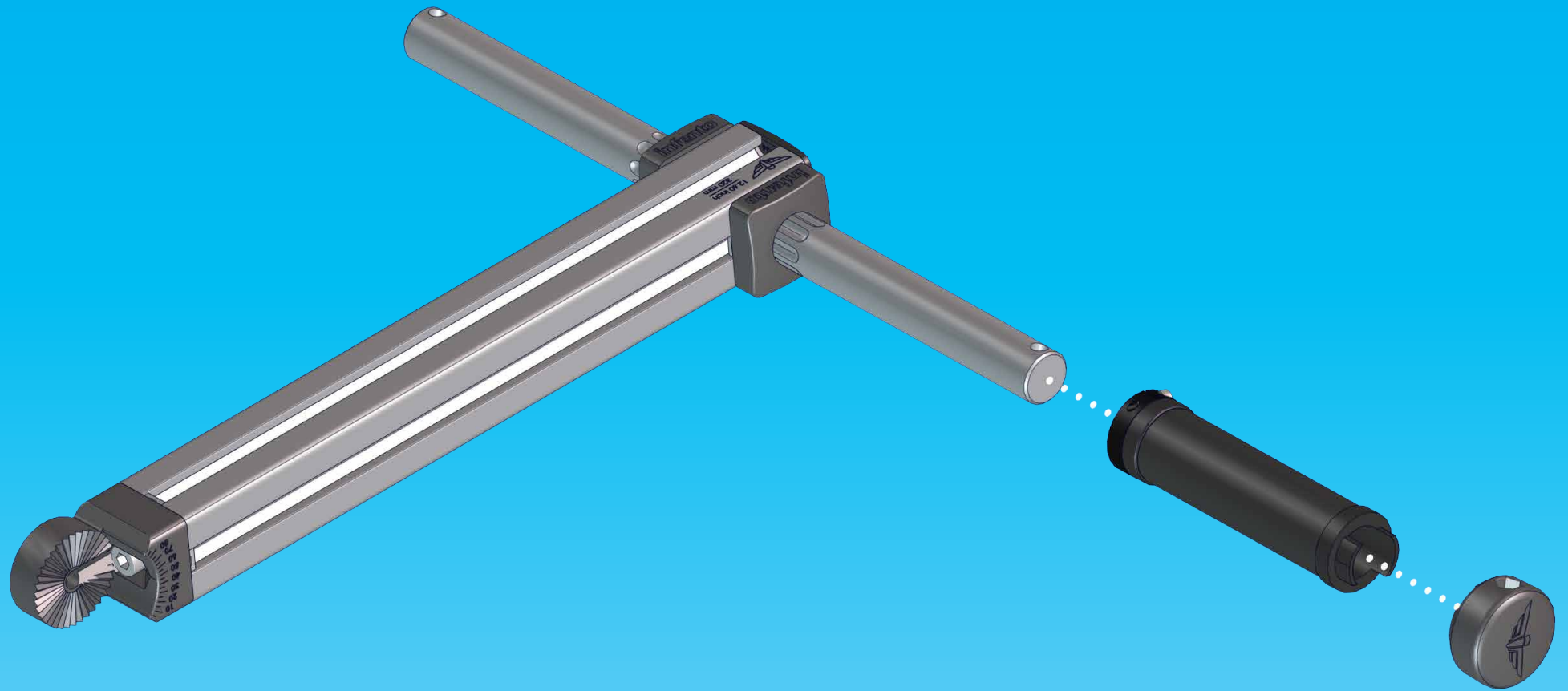




A.6

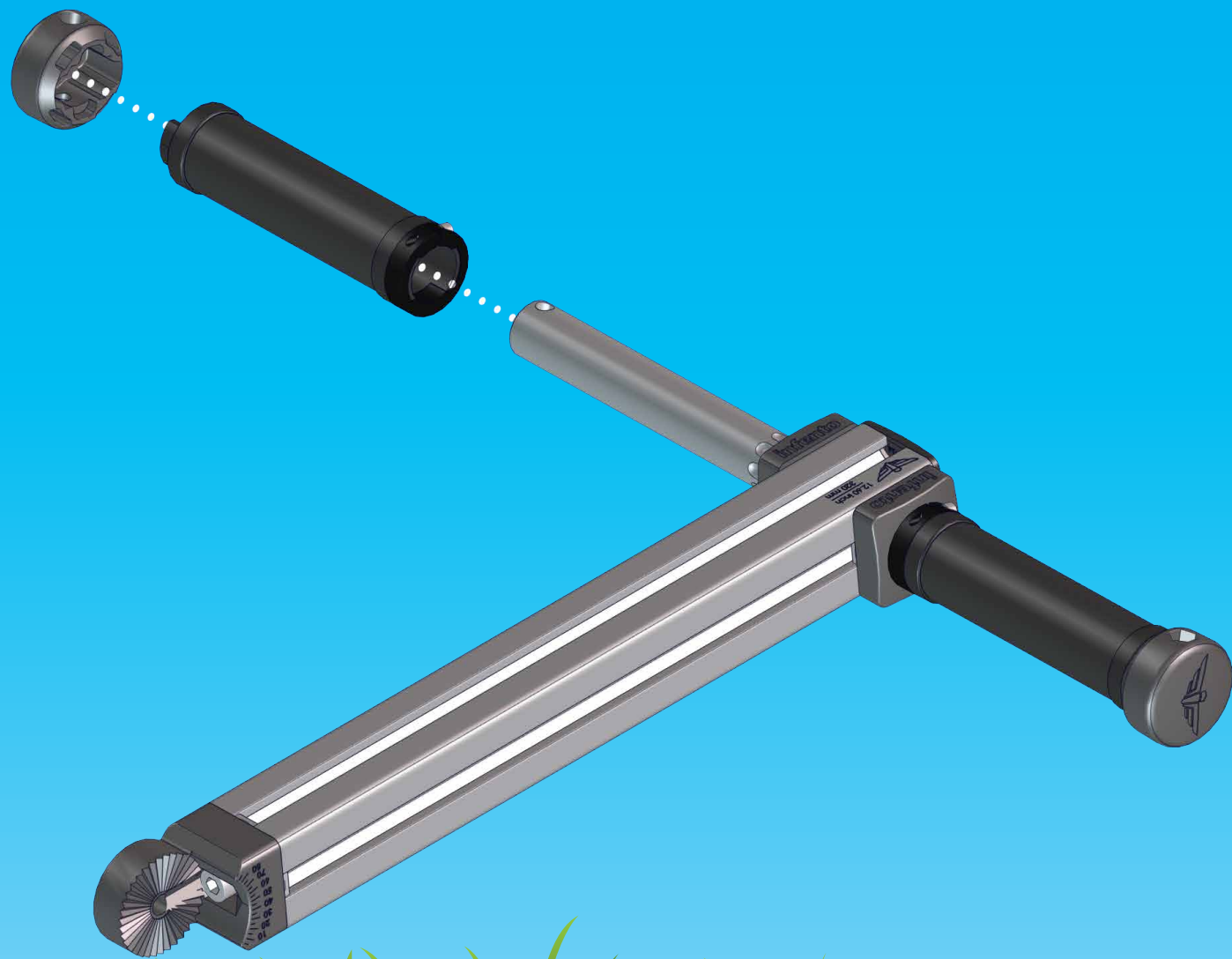


2x

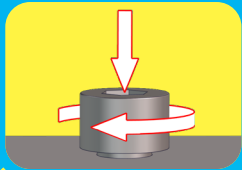
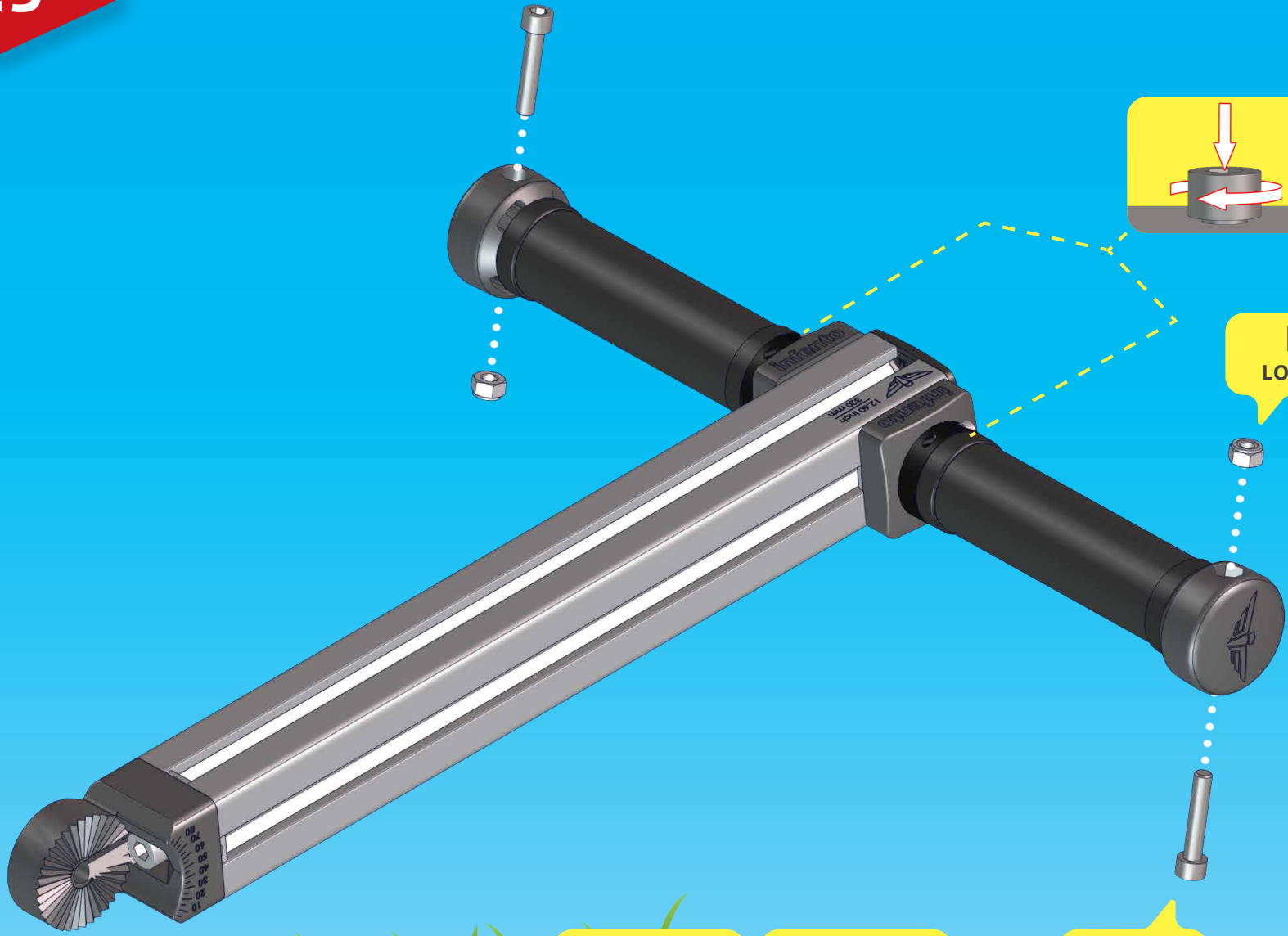




A.8

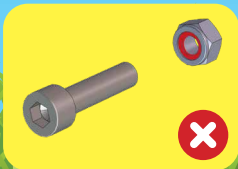
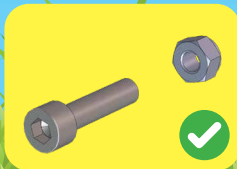



A.9



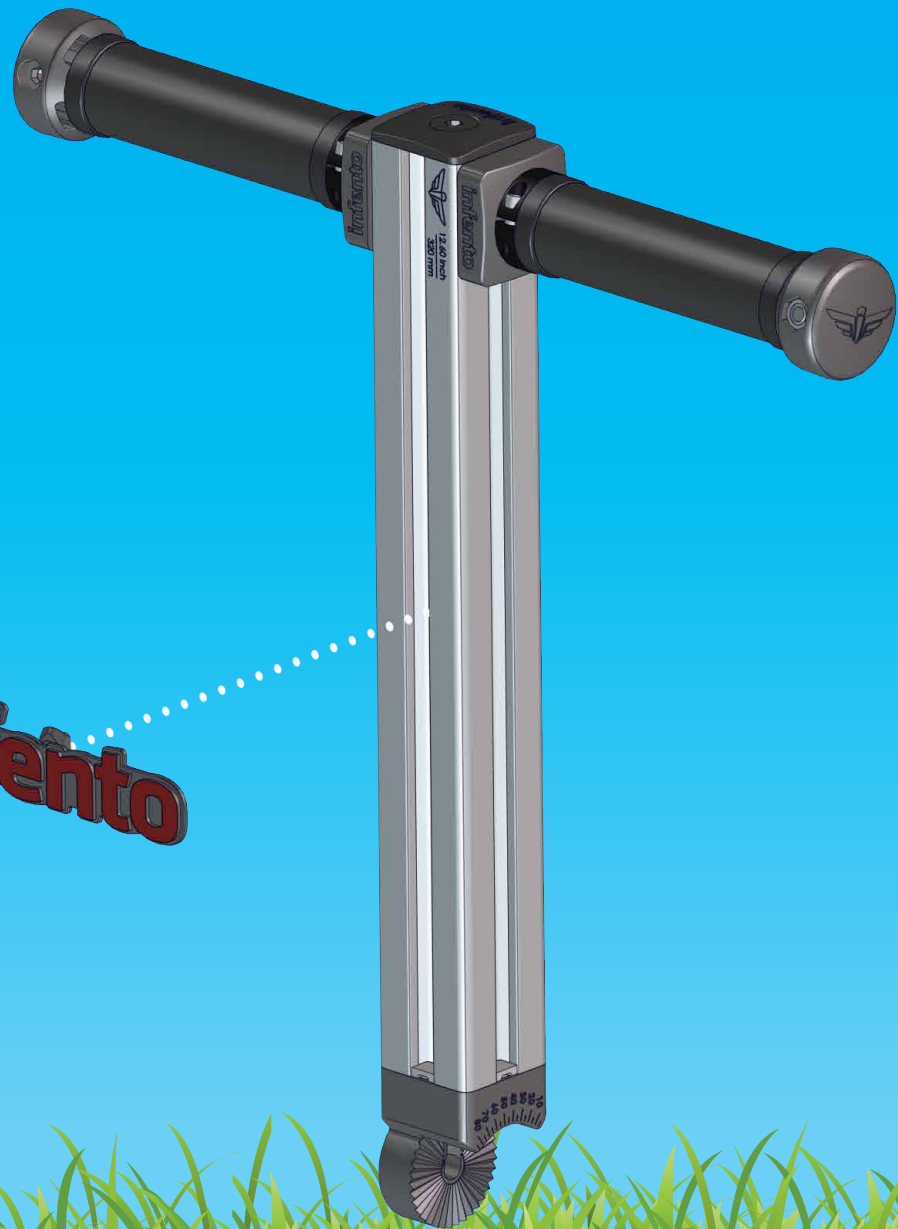
**M6
LOCKNUT**

M6x30





A.10



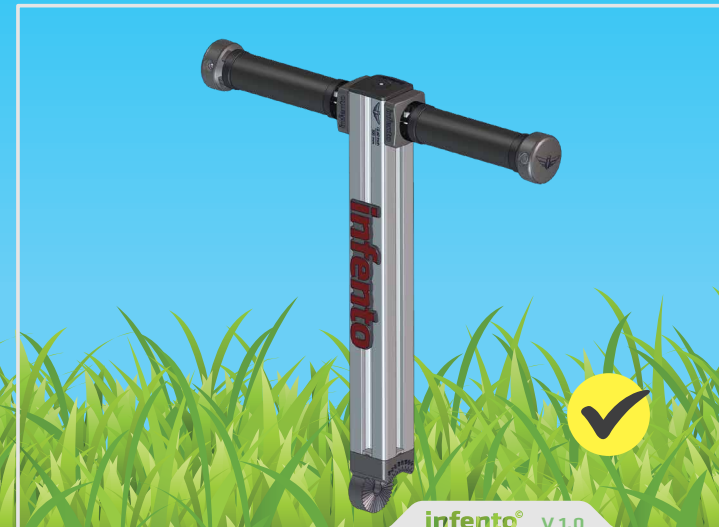
infento



A.11



infento

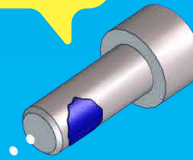
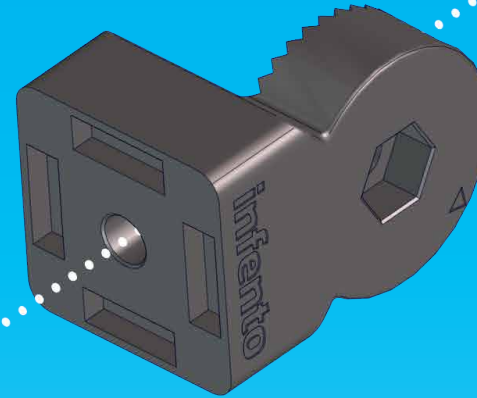
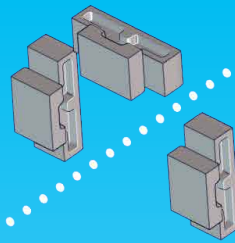


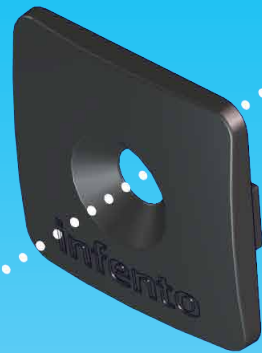
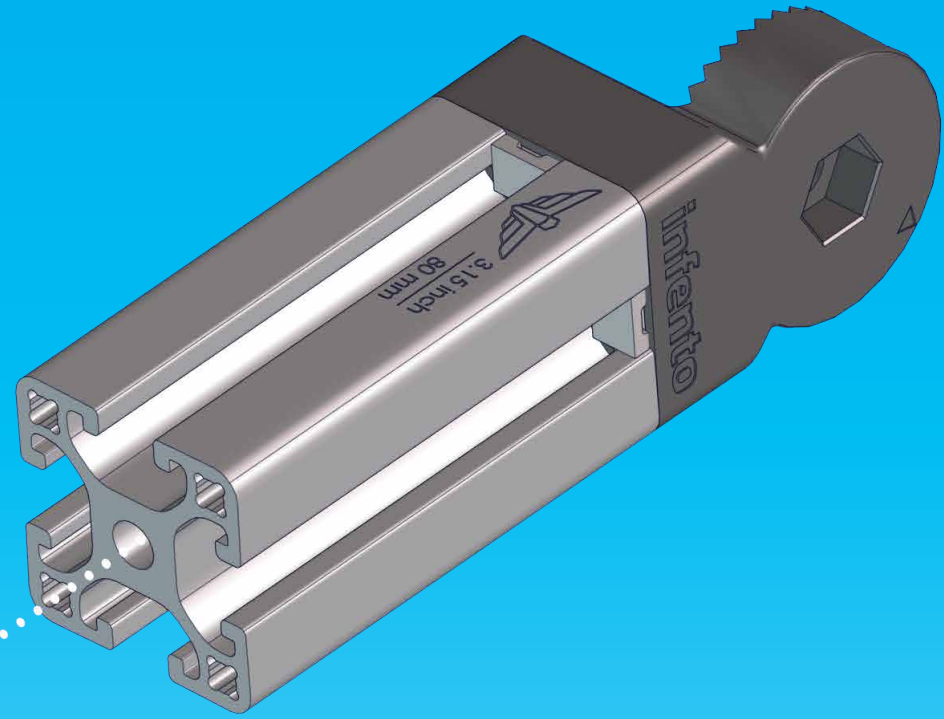


B.1

**M8x20
NYLOCK**

**3,15 "
80 mm**





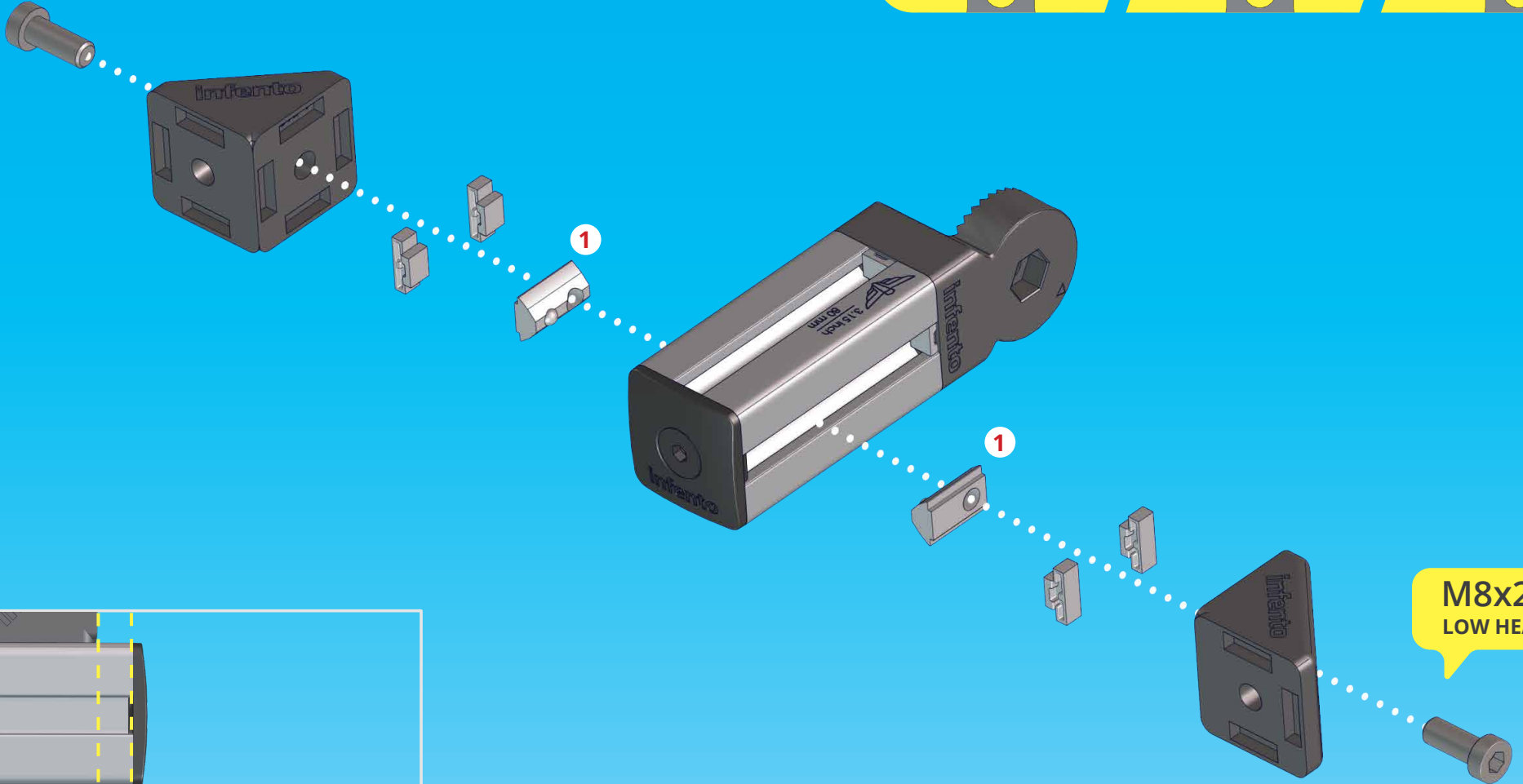
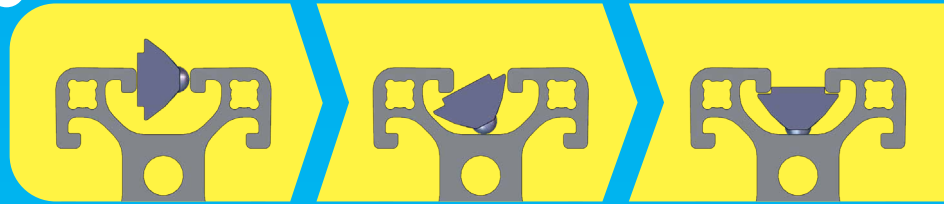
**M8x12
COUNTERSUNK**





B.3

1



M8x20
LOW HEAD

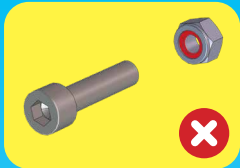


0.39"
10 mm

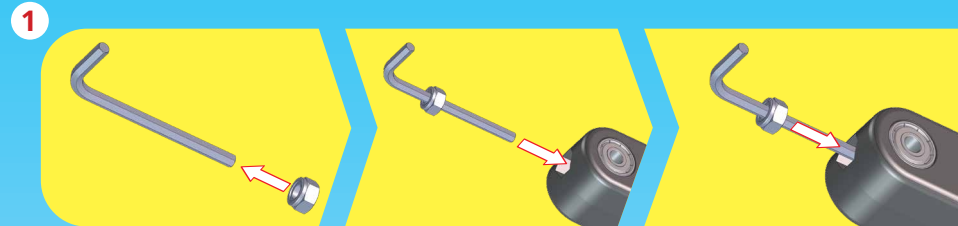
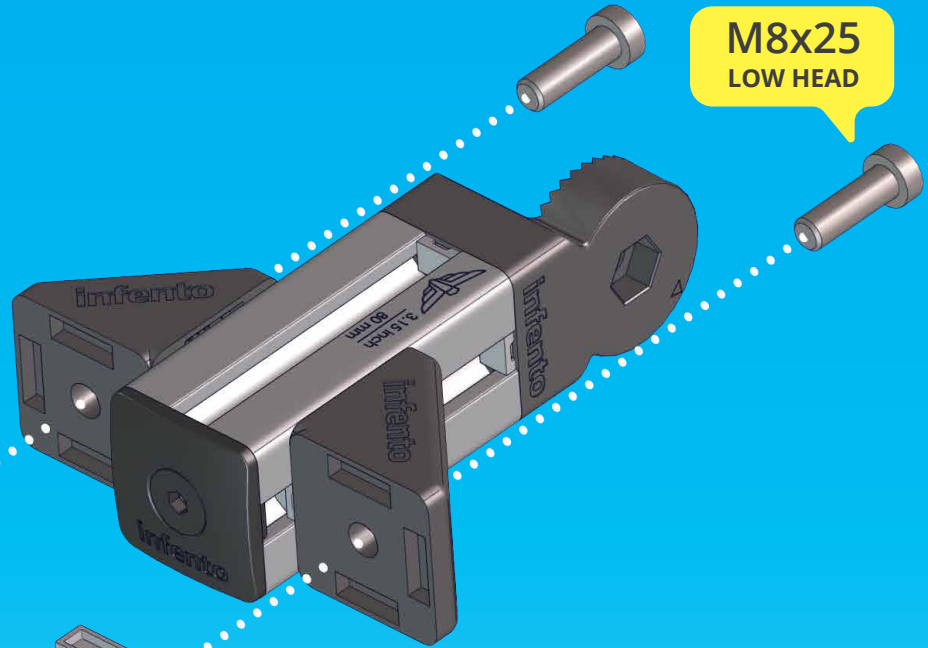
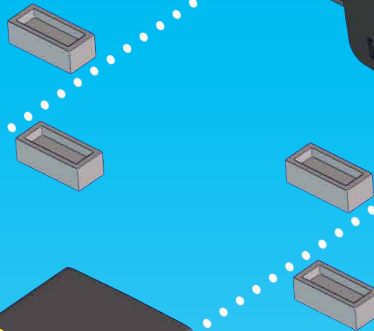
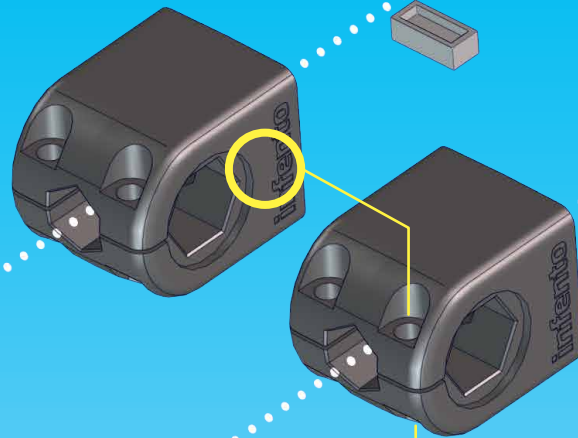


B.4

M8x25
LOW HEAD



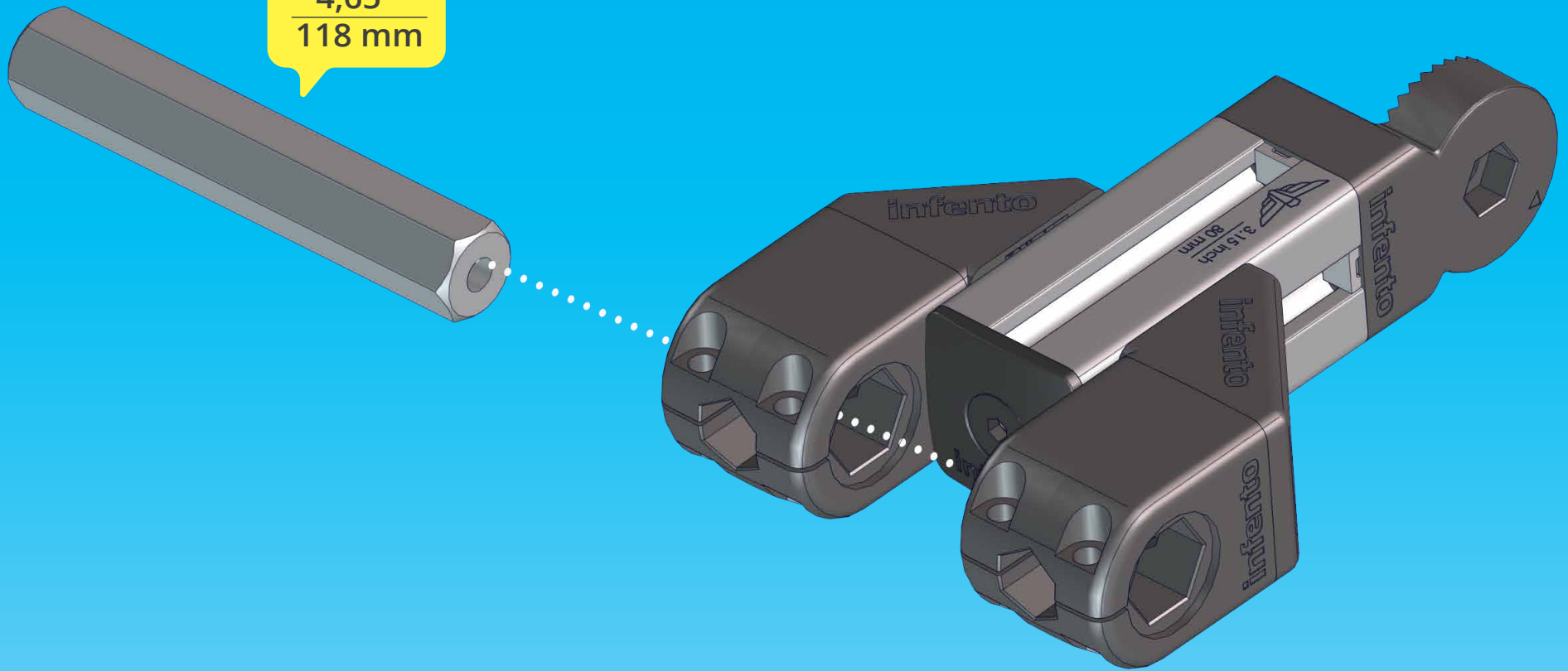
M8
LOCKNUT





B.5

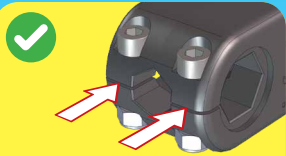
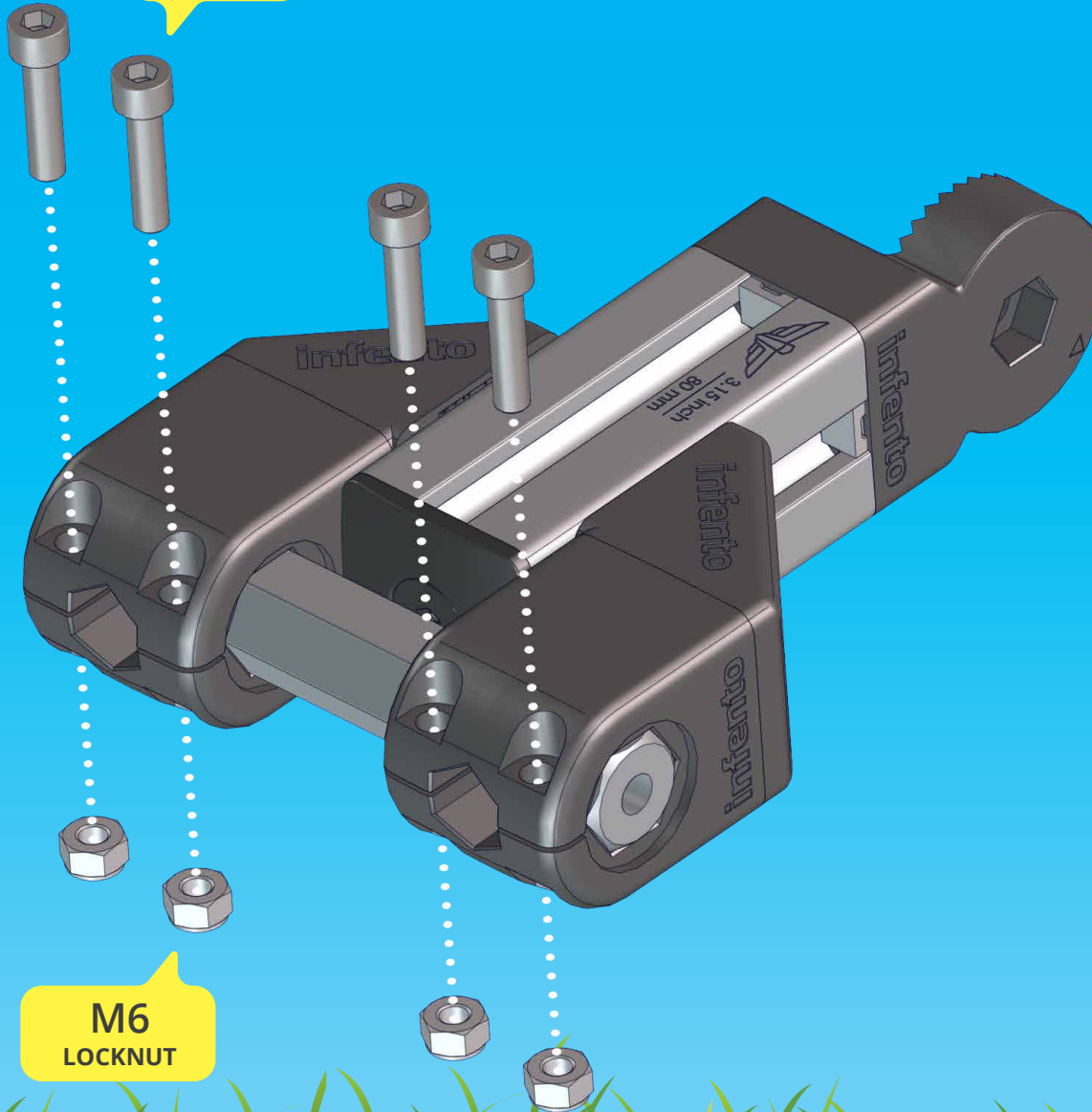
4,65"
118 mm





B.6

M6x25

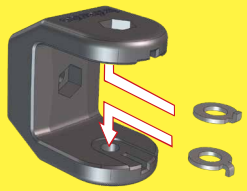
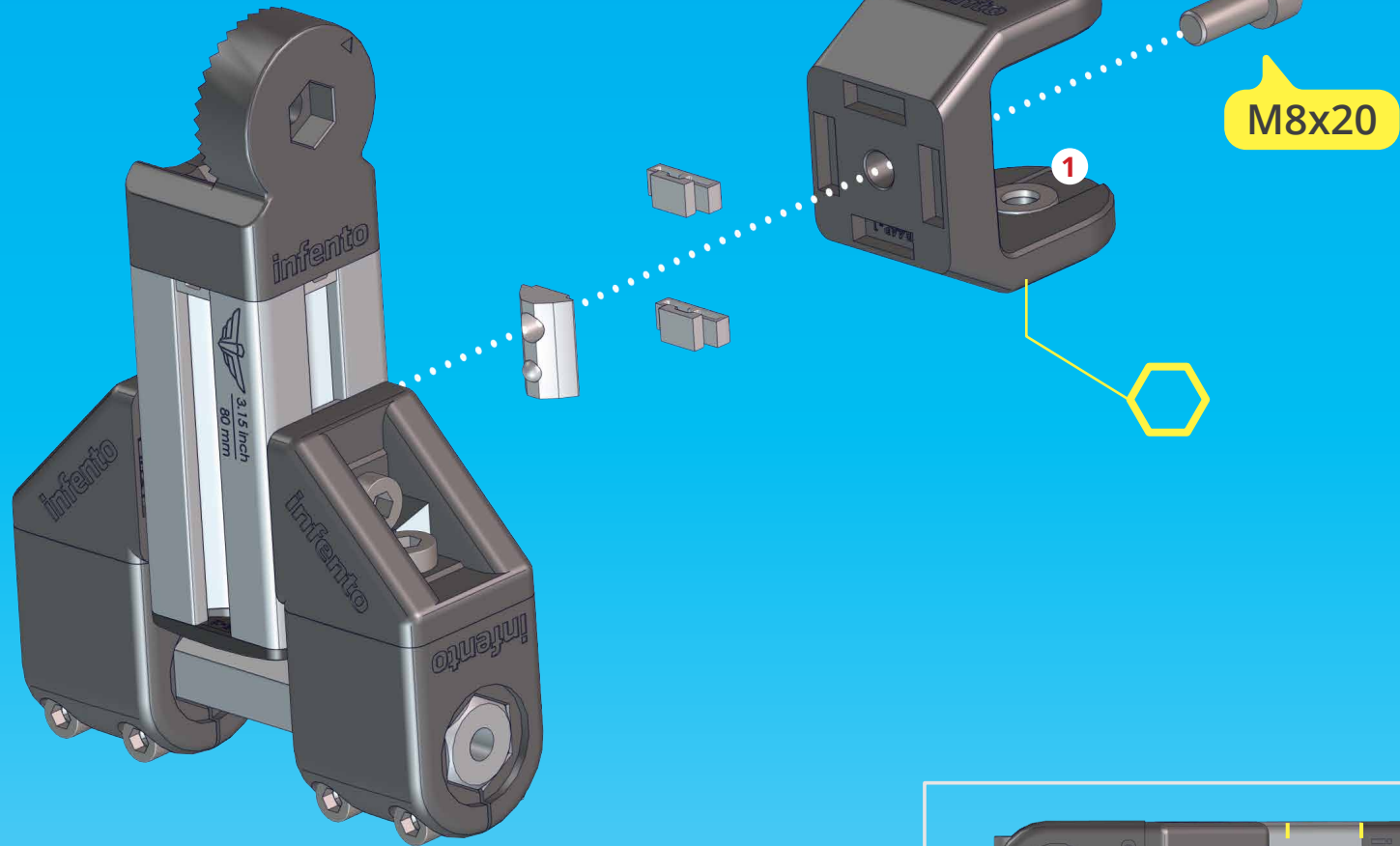


Leave at least 0.5mm space when tightening the bolts.

**M6
LOCKNUT**

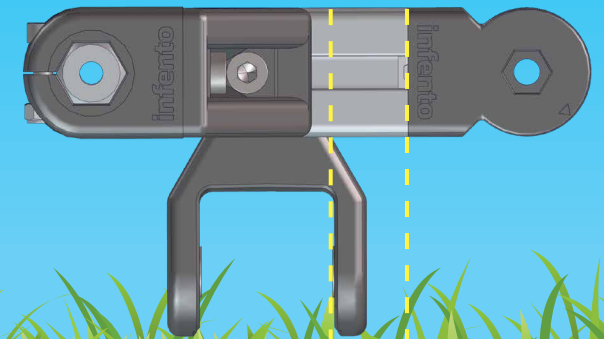


B.7



1
Don't disassemble.
You can leave
them in.

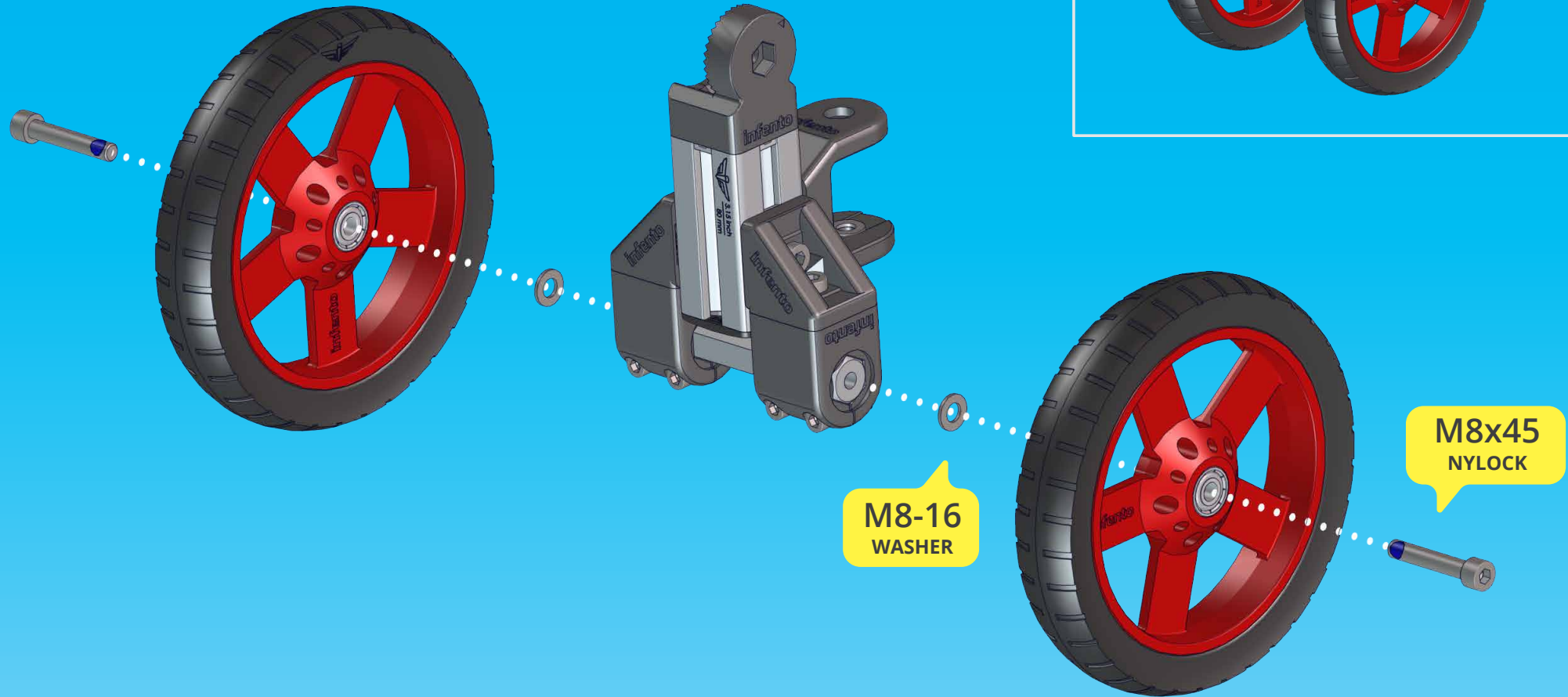
If you don't have nock washers,
use M8-16 washers instead.



0.94 "
24 mm



B.8

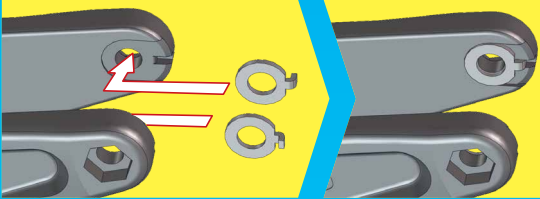


**M8-16
WASHER**

**M8x45
NYLOCK**



C.1



Don't disassemble.
You can leave
them in.

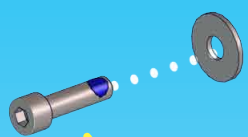
If you don't have nock washers,
use M8-16 washers instead.

11,02 "
280 mm

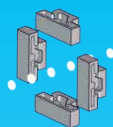


1

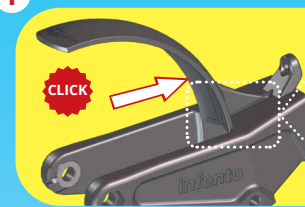
M8-24
WASHER



M8x30
NYLOCK

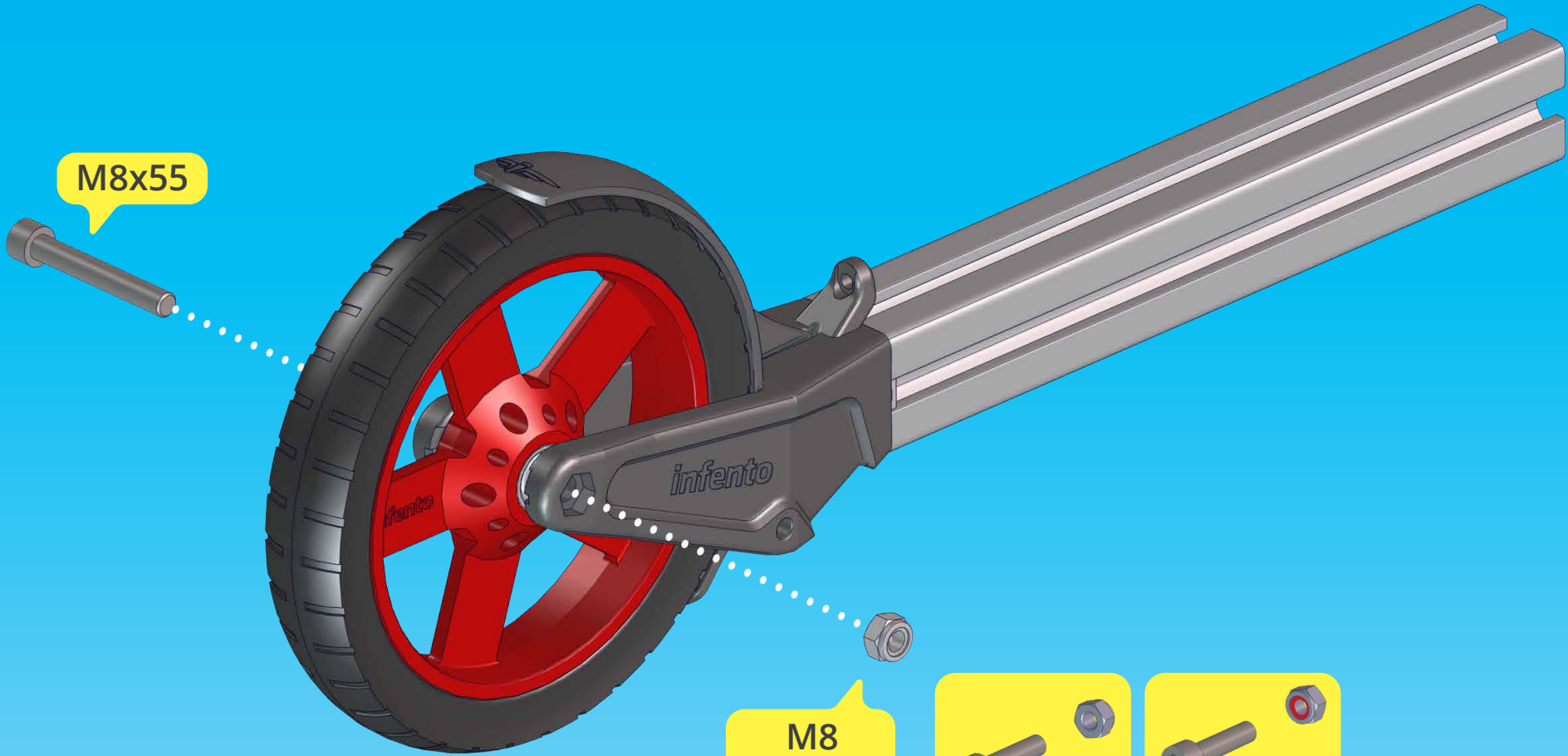


1



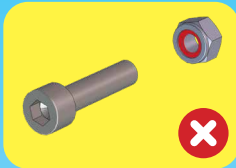
Make sure the
fender is in good
position before
tightening the bolt
strongly.





M8x55

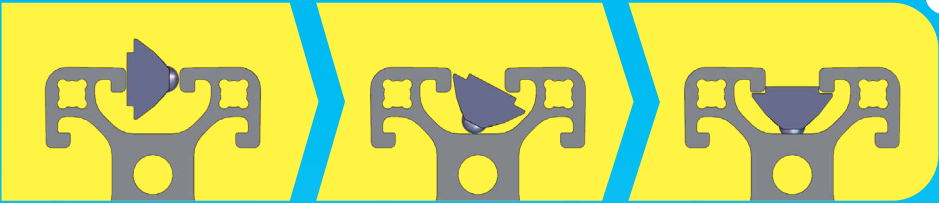
M8
LOCKNUT



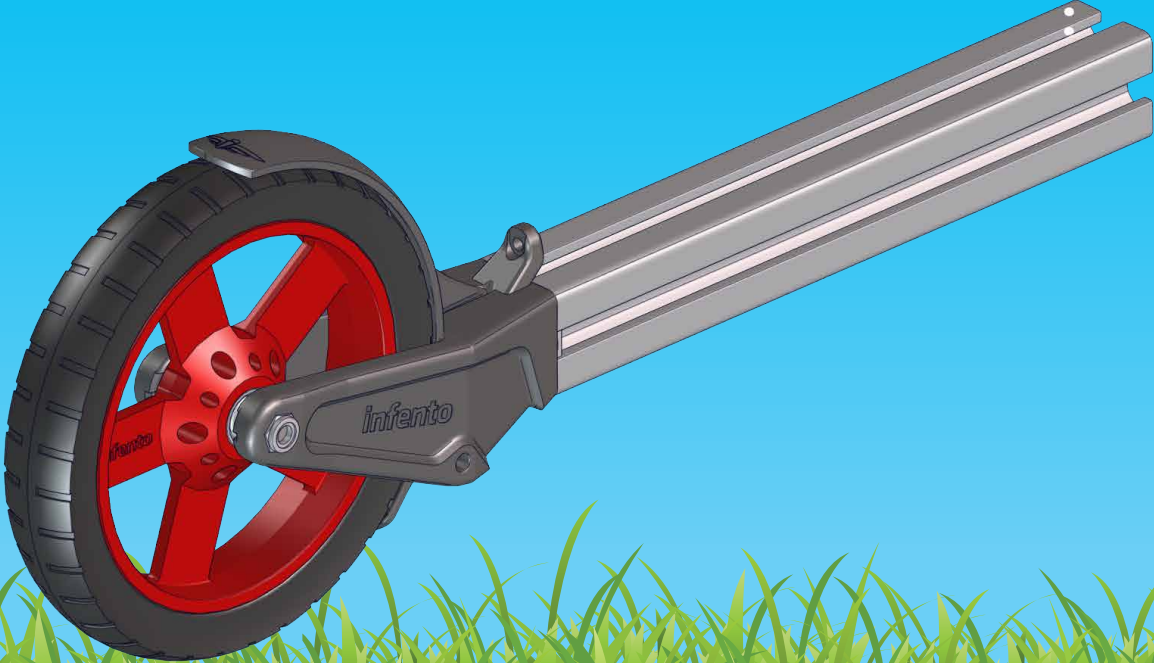


M8x20
LOW HEAD

1

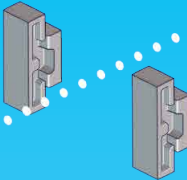
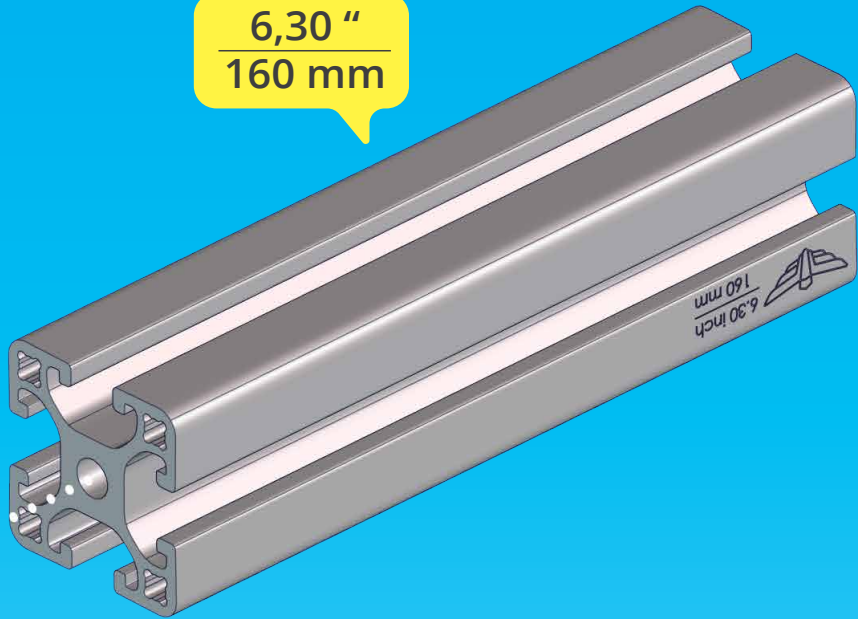


1

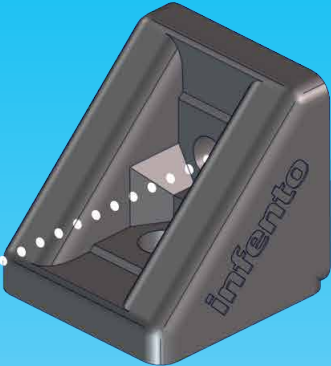
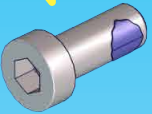


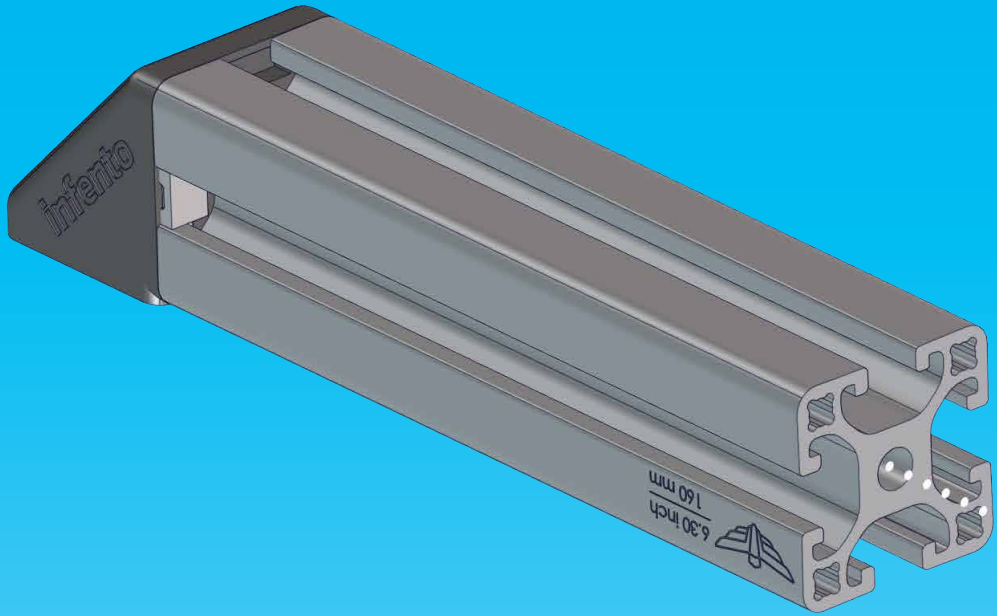


6,30 "
160 mm

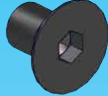


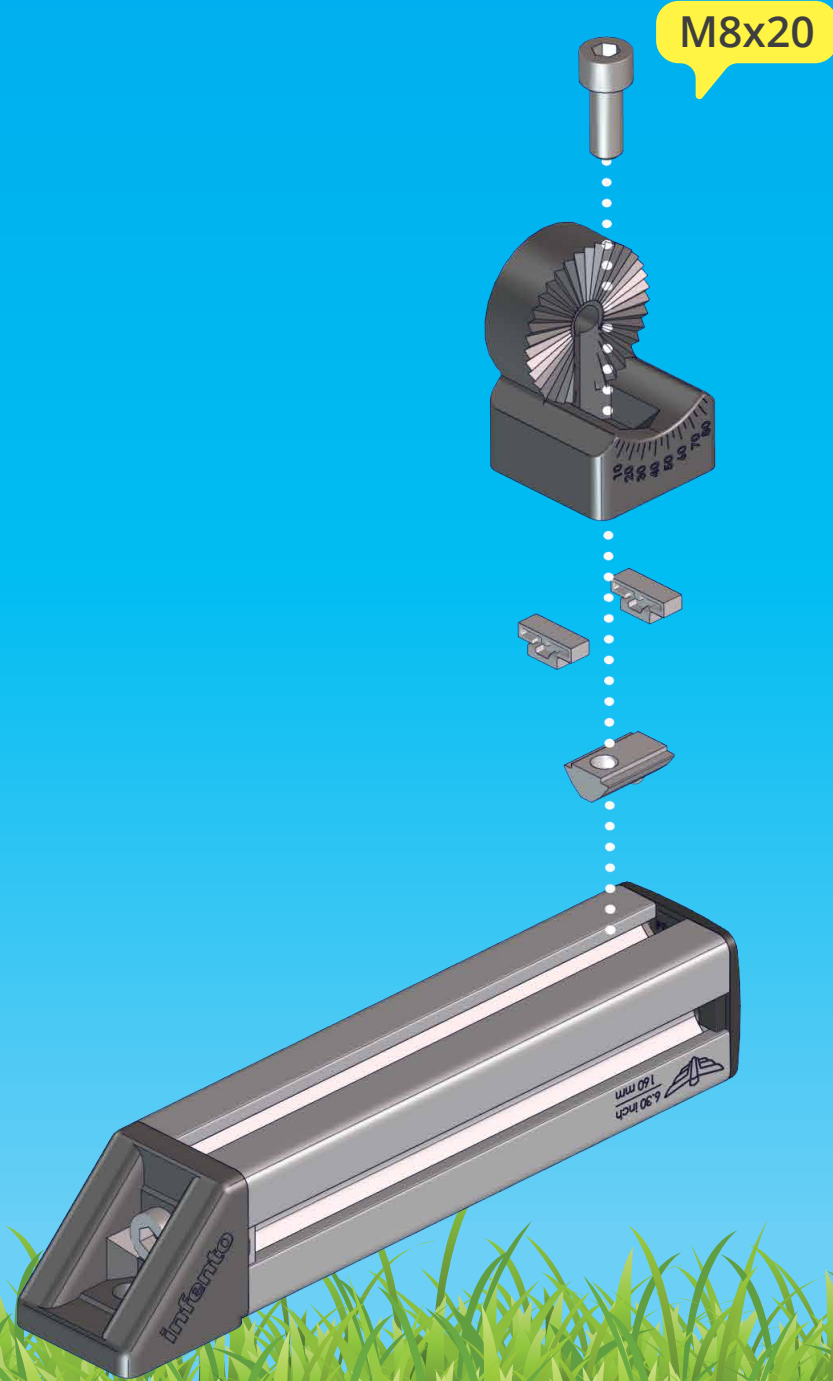
M8x20
LOW HEAD
NYLOCK





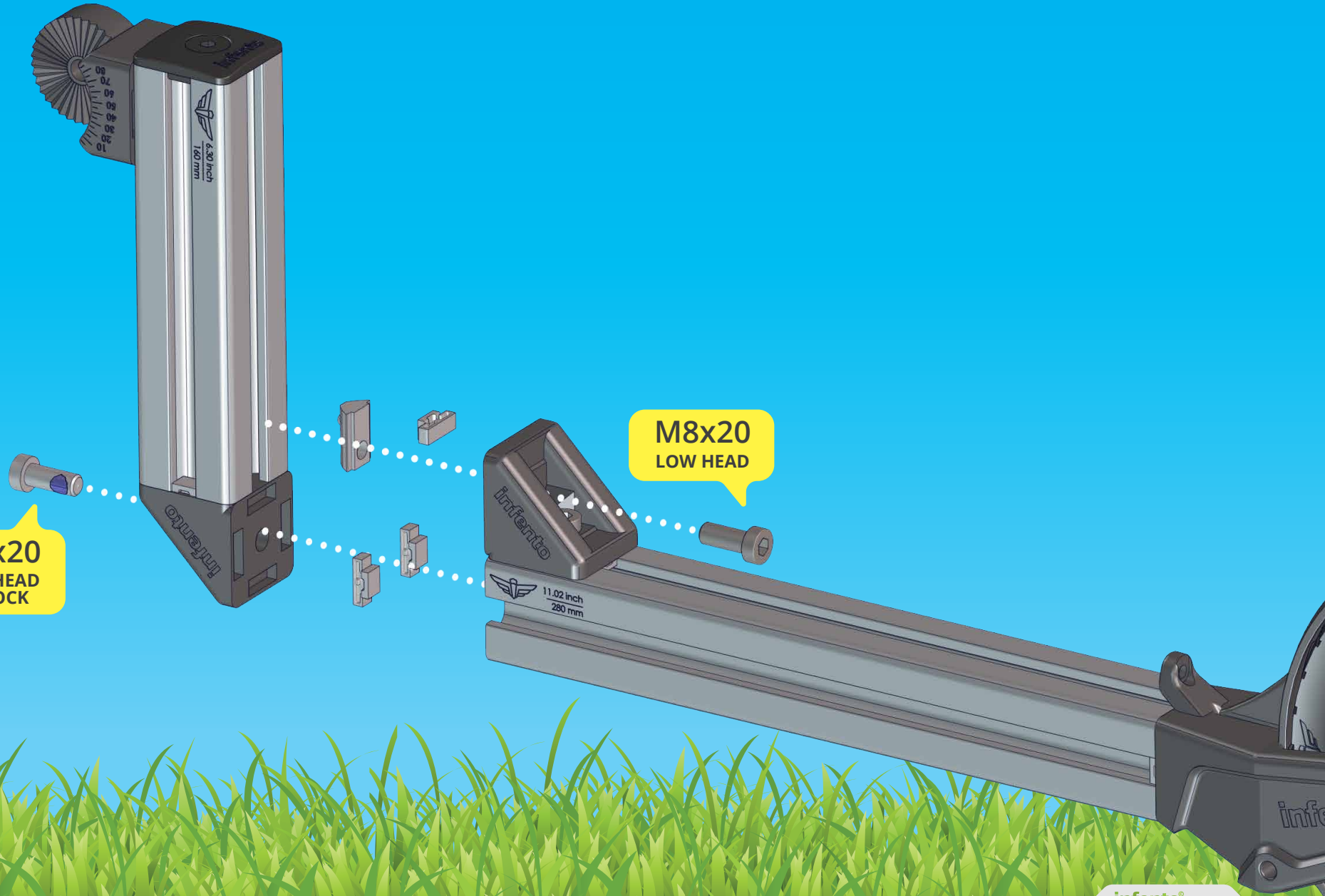
M8x12
COUNTERSUNK







C.8

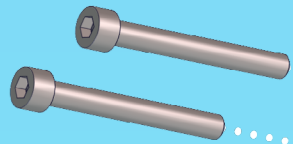


M8x20
LOW HEAD
NYLOCK

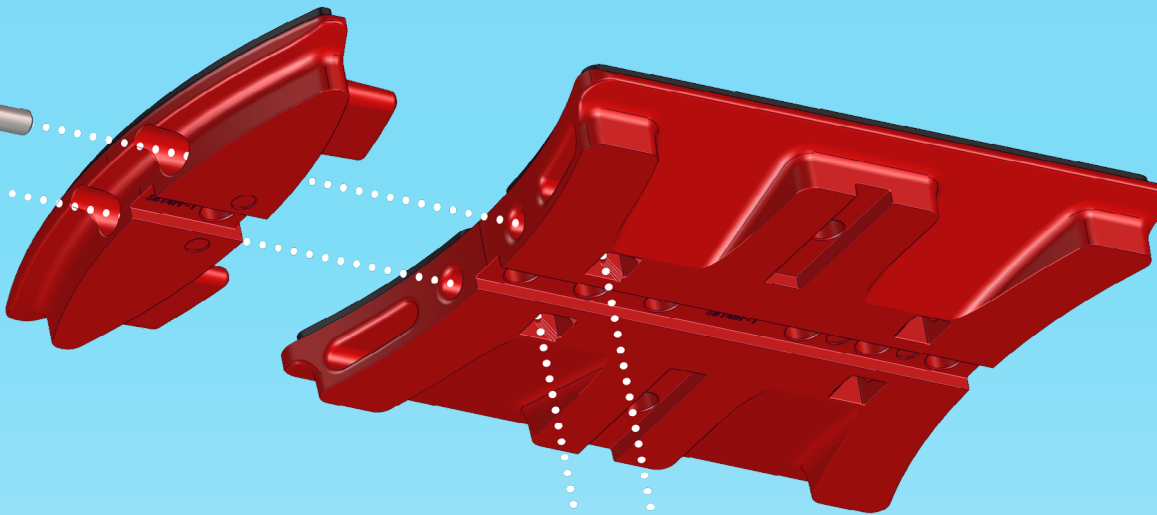
M8x20
LOW HEAD



C.9



M6x50



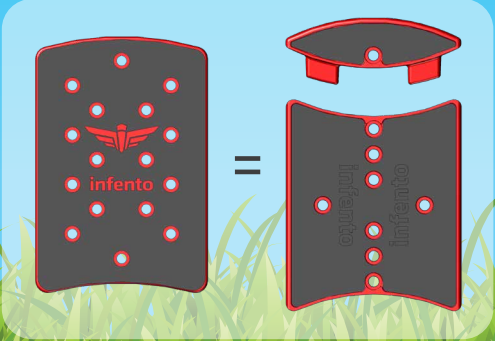
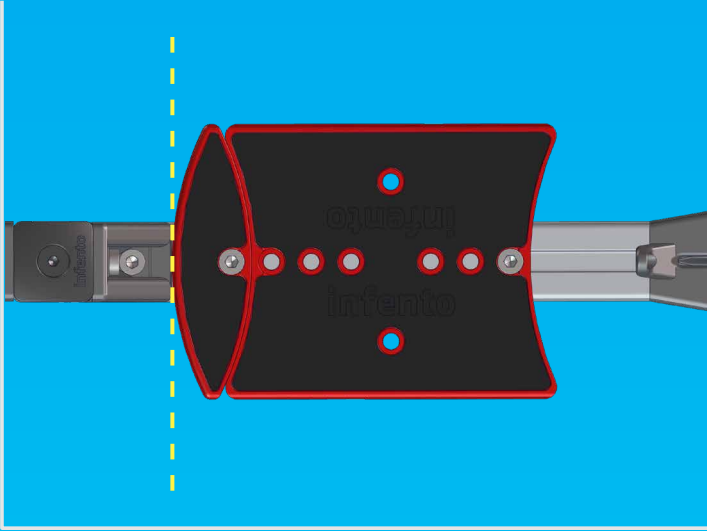
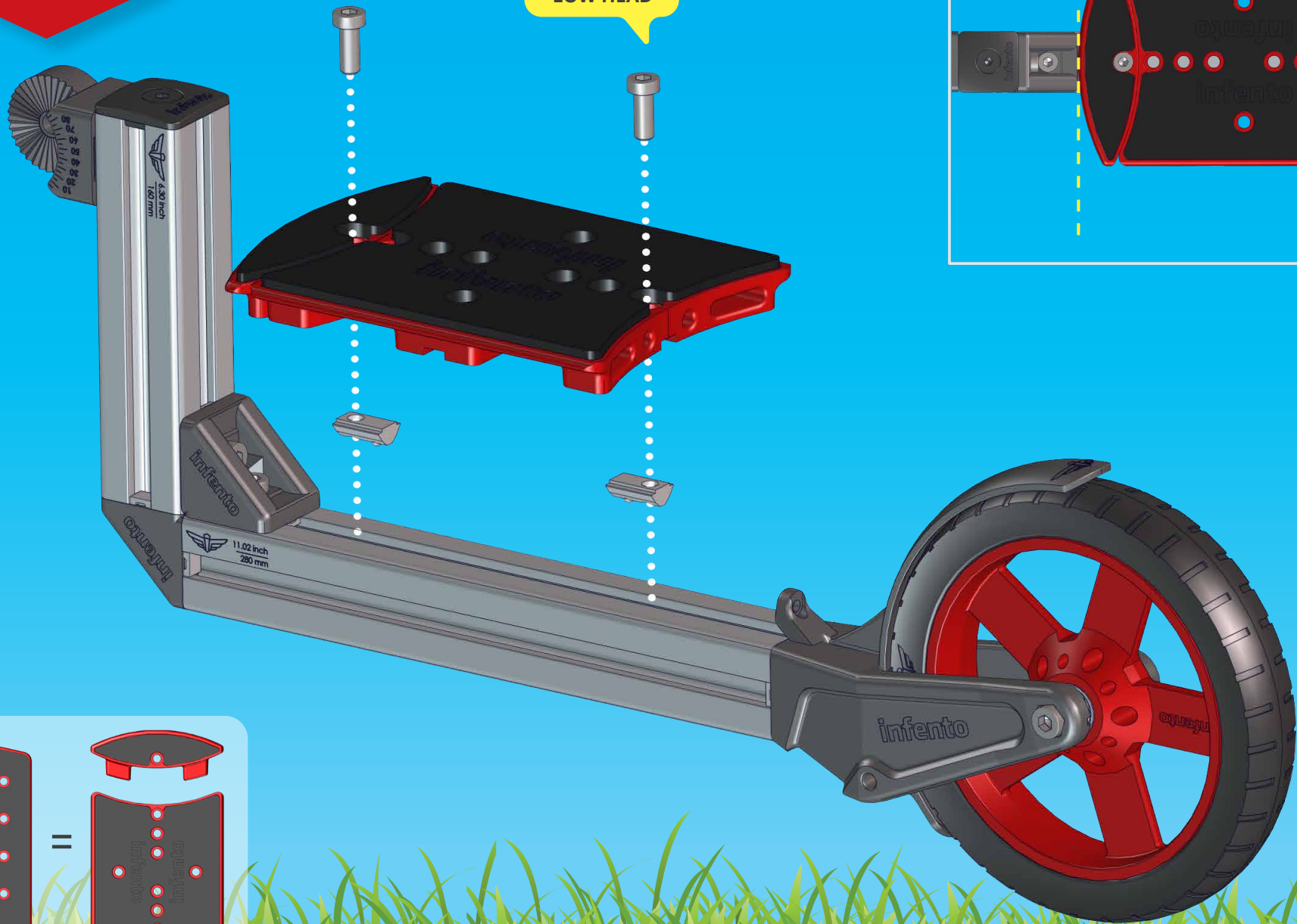
M6
SQUARE NUT



If you don't have this part, go to the next step.

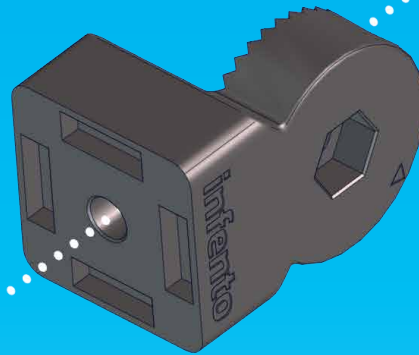
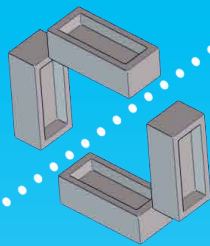
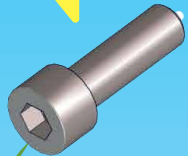

C.10

**M8x20
LOW HEAD**





M8x25



M8
LOCKNUT



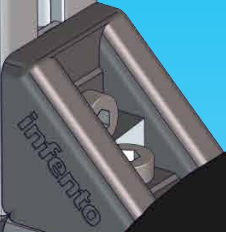
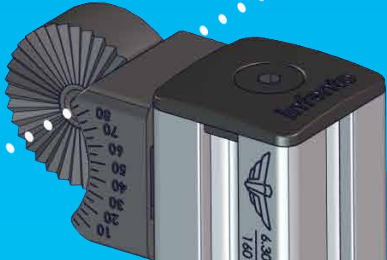
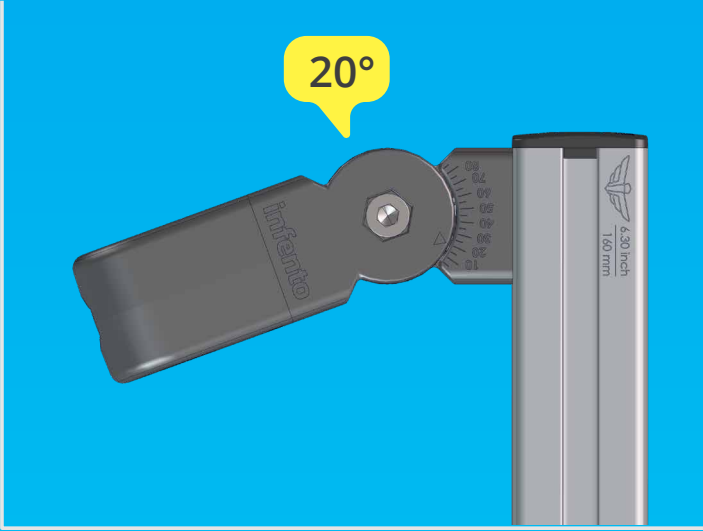


M8
LOCKNUT

Knurled disc
2 STRIPES

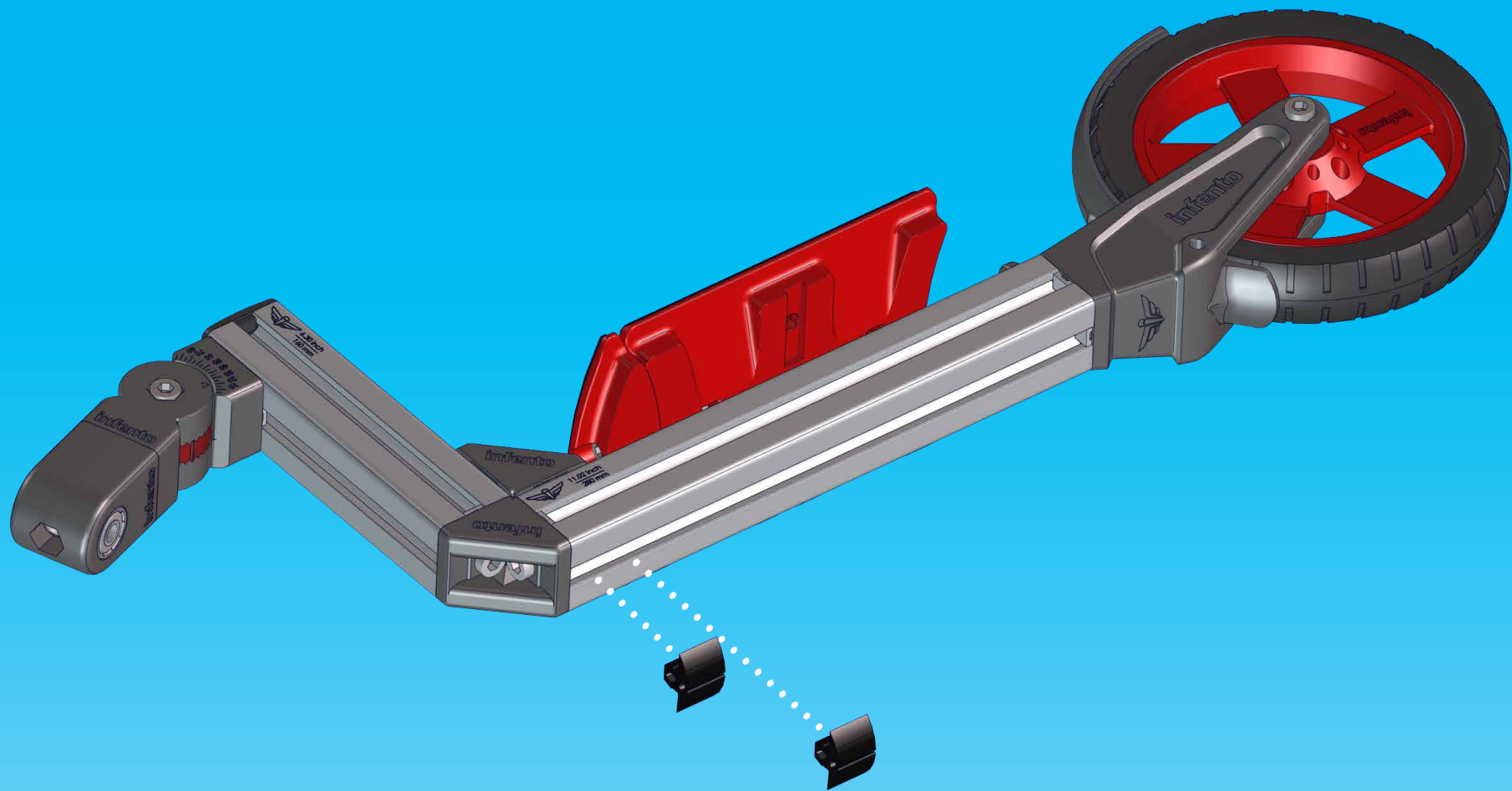
M8x35

20°



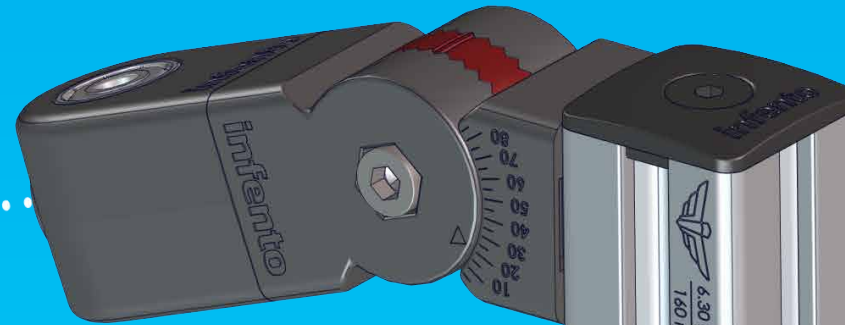
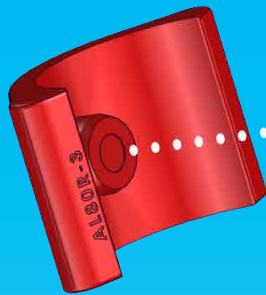


C.13

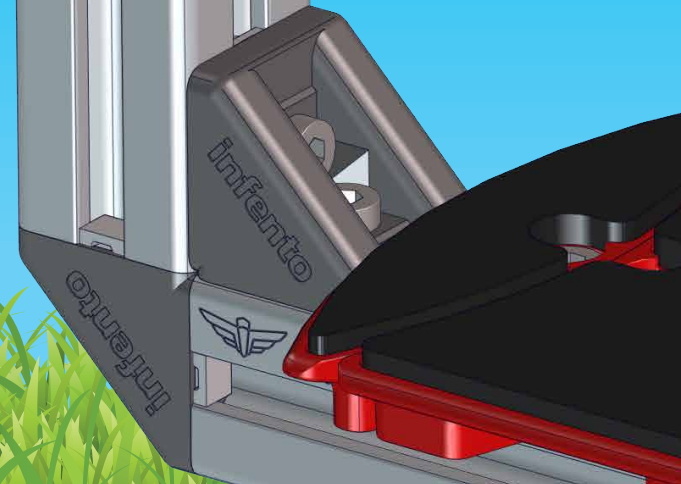
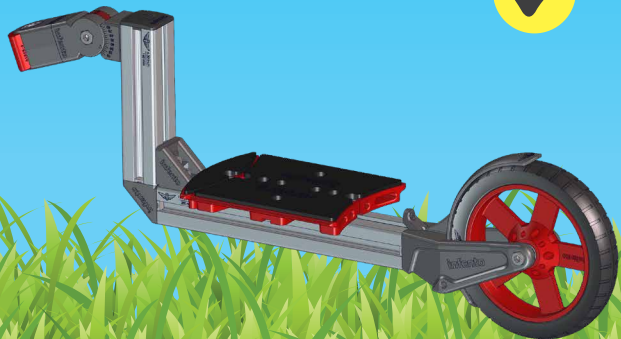




C.13

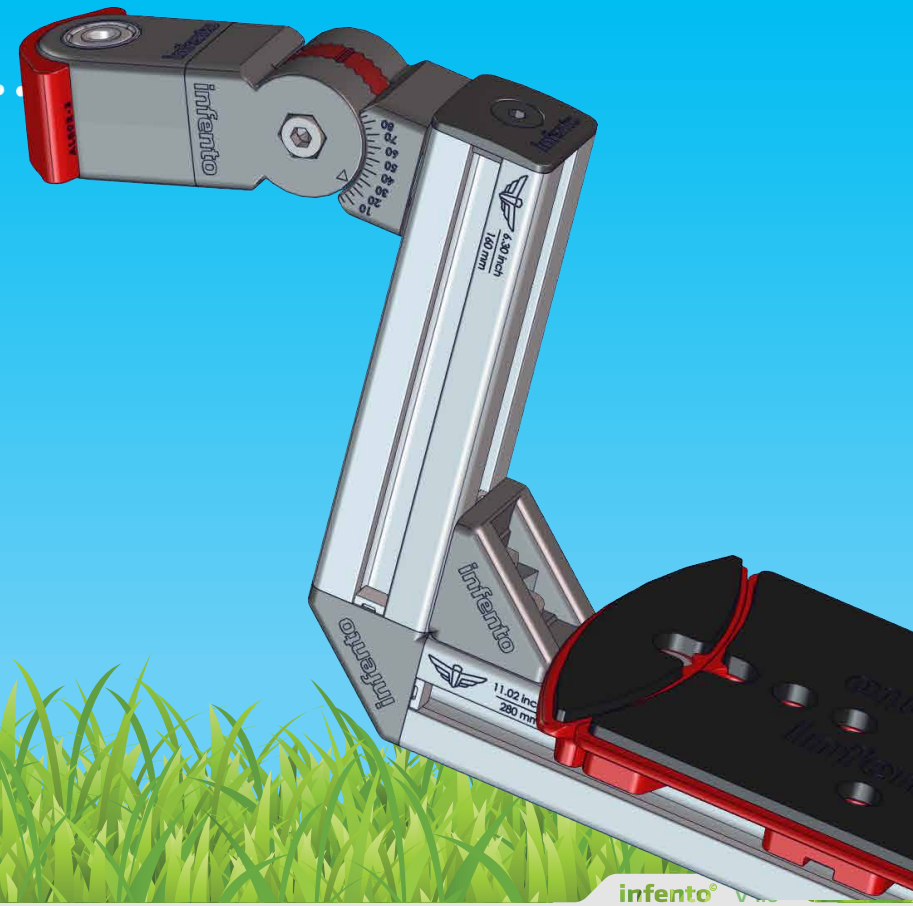
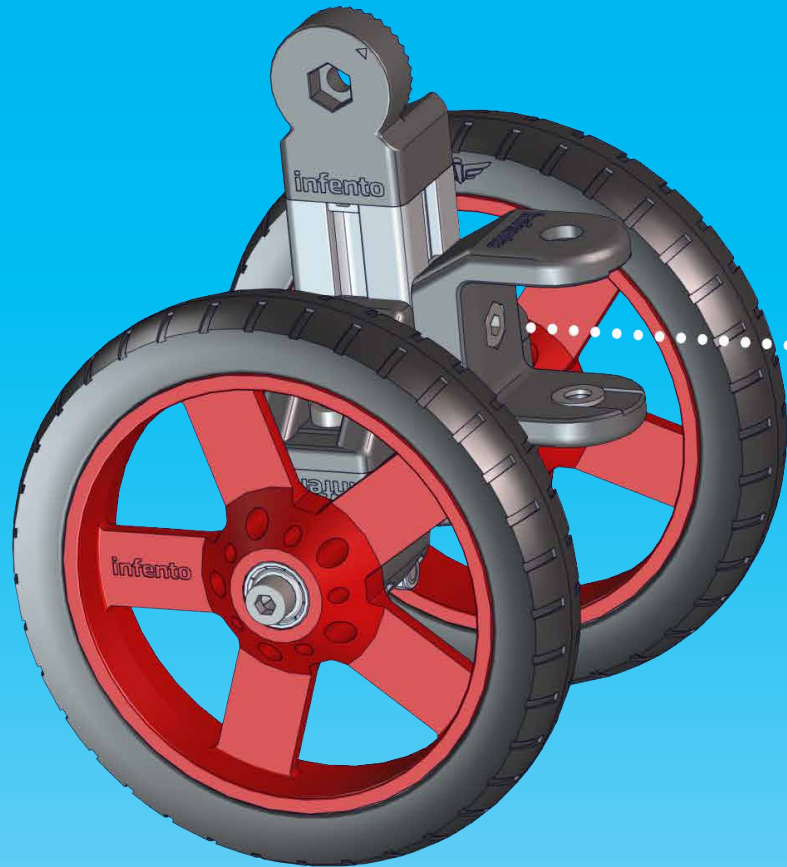


6.30 Inch
160 mm





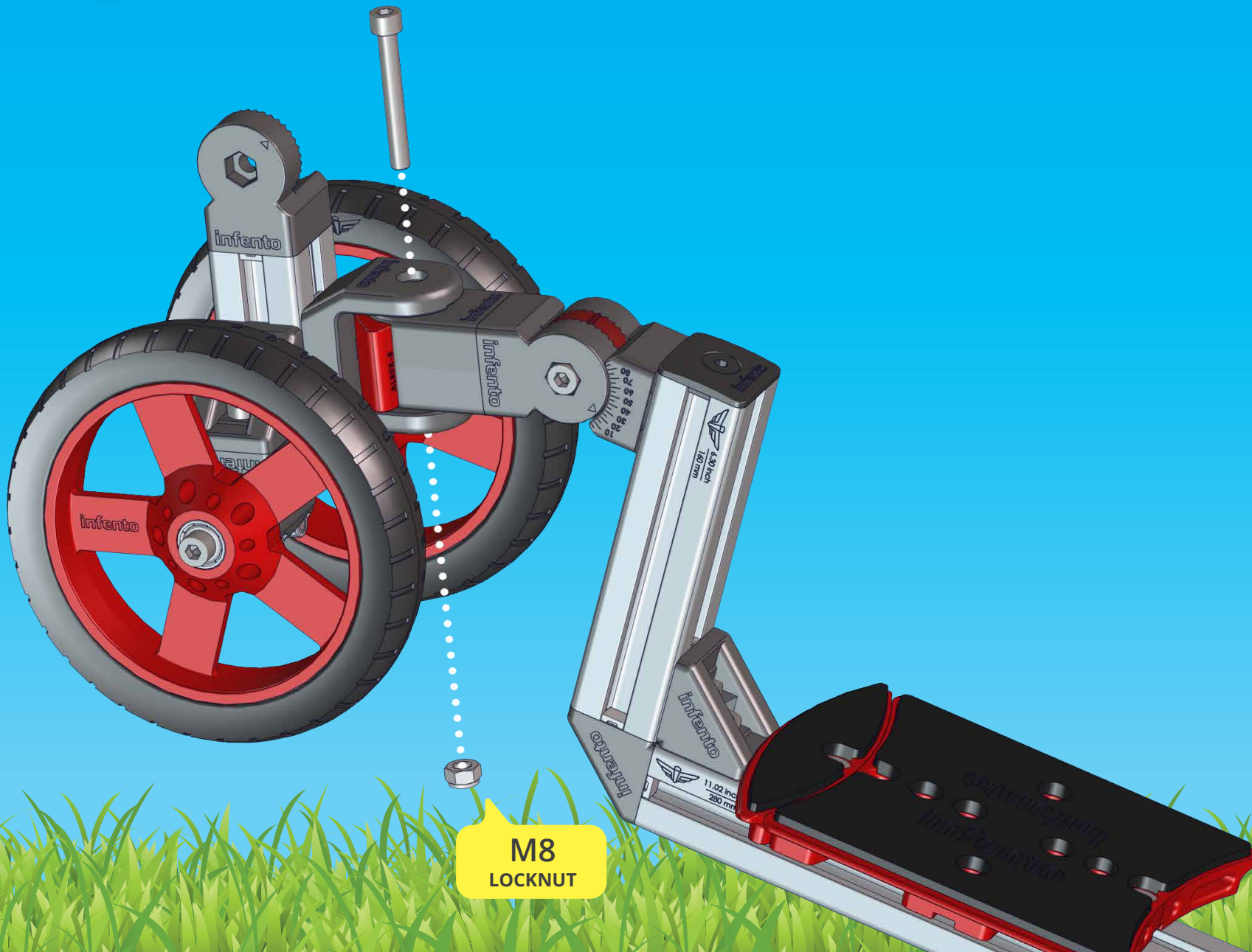
D.1





D.2

M8x60



M8
LOCKNUT

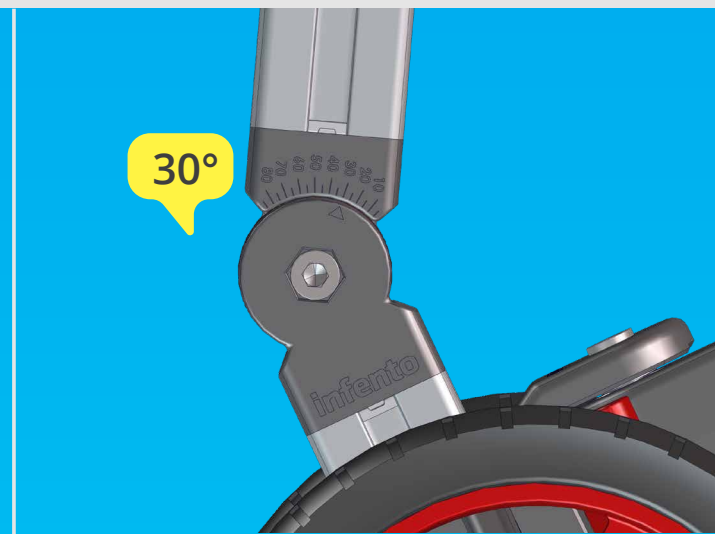


D.3

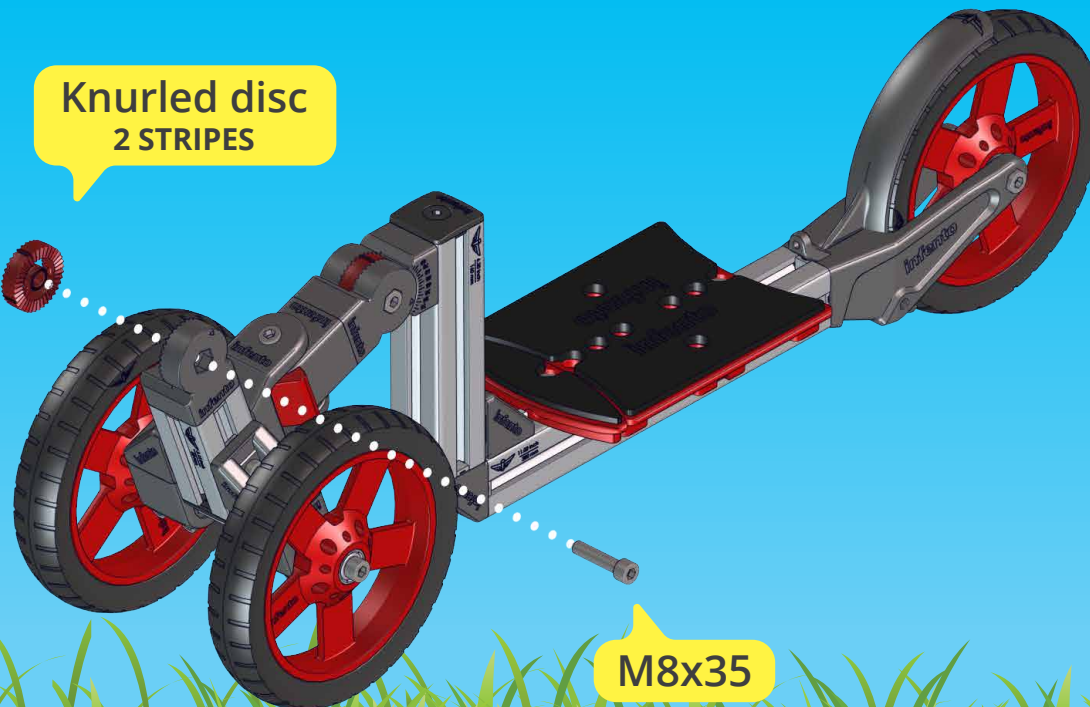


M8
LOCKNUT

Knurled disc
2 STRIPES



30°



M8x35

